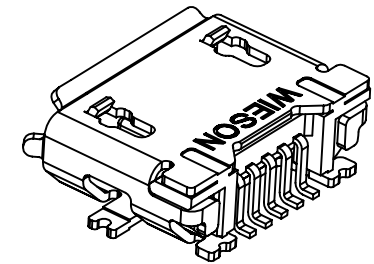


3515 SERIES MICRO USB (MICRO-B) FEMALE R/A SMT TYPE-2

REV	DATE	DESCRIPTION	ECN NO.	NAME
A	08.02.11	NEW RELEASE		SAM HO

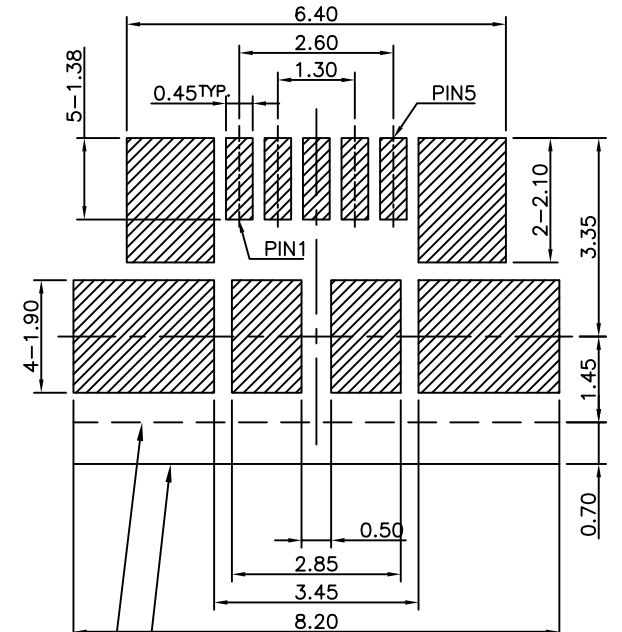
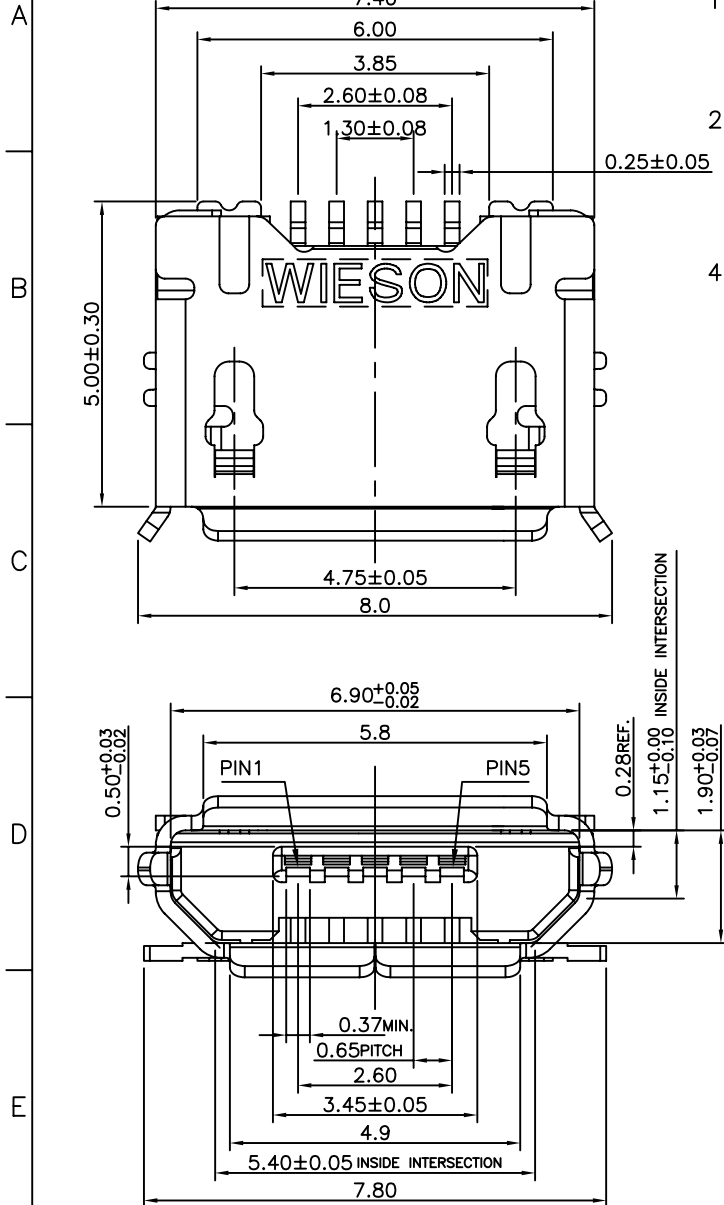
NOTE :

- 1.MATERIAL :
HOUSING : THERMOPLASTIC(UL94V-0),BLACK.
TERMINAL : COPPER ALLOY.
SHELL : STAINLESS STEEL.
- 2.PLATING :
TERMINAL : Au PLATED ON CONTACT AREA,(SEE ORDERINFORMATION)
100u" MIN. Sn PLATED ON SOLDER TAIL AREA,
BOTH OVER 50u" MIN. Ni UNDERPLATED OVERALL.
SHELL : 100u"±50u" SOLDERABLE Ni OVERALL



4.ORDER INFORMATION : G3515-10 00 ** ** -00

- ① — 00 : W/O LOGO
01 : W/ LOGO
- ② — 01 : 3u"Au ON CONTACT AREA ;
02 : 15u"Au ON CONTACT AREA ;
03 : 30u"Au ON CONTACT AREA .



PCB EDGE
CONNECTOR EDGE
RECOMMENDED PCB LAYOUT (TOP VIEW)
TOLERANCE: ±0.05mm

GENERAL TOLERANCE		WIESON TECHNOLOGIES CO., LTD		PART NO.: G3515-1000***-00	
X.X	=±0.20	DRAWN BY	SAM HO	DRAWING NO.	G3515-1000XXX-00
X.XX	=±0.10	CHECKED BY	KEVIN	DRAWING SIZE	8 : 1 A4
X.X'	=±3'	APPROVED BY	JERRY	UNIT	mm
		SORTING NO.	WSC	PAGE	1 OF 1

ISSUED

[ARTICLE:044033 V5]