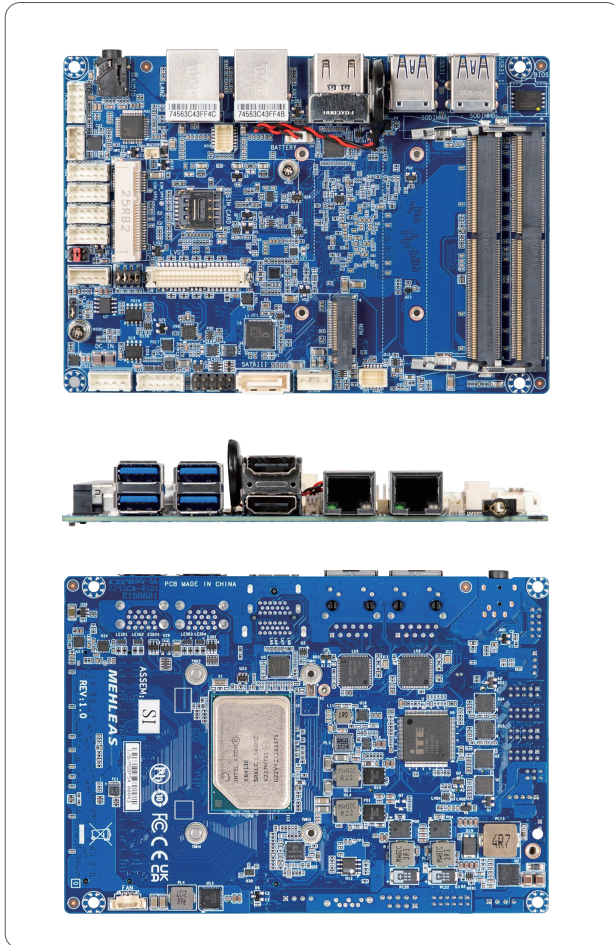


QBiP-x6413EAT (MEHLEAS)

3.5" SubCompact Wide Temperature Embedded Motherboard with Intel® Atom® x6413E Processor, Dual Channel DDR4 memory, 4 x COM, 1 x SATA 6Gb/s, 4 x USB 3.2 Gen 1, 2 x USB 2.0, Temp -40°C to 85°C



Features

- 3.5" SBC
- Intel® Atom® x6413E
- Dual Channel DDR4, 2 x SO-DIMMs
- 2 x GbE LAN Ports
- 1 x SATA 6Gb/s Port
- M.2 with PCIe x2, SATA 6Gb/s
- 2 x HDMI, LVDS ports for multiple display
- 1 x COM Port (RS-232/422/485 & RI/5V/12V)
- 1 x COM Port (RS-232/422/485)
- 2 x COM Ports (RS-232)
- Wide Temperature Embedded Motherboard

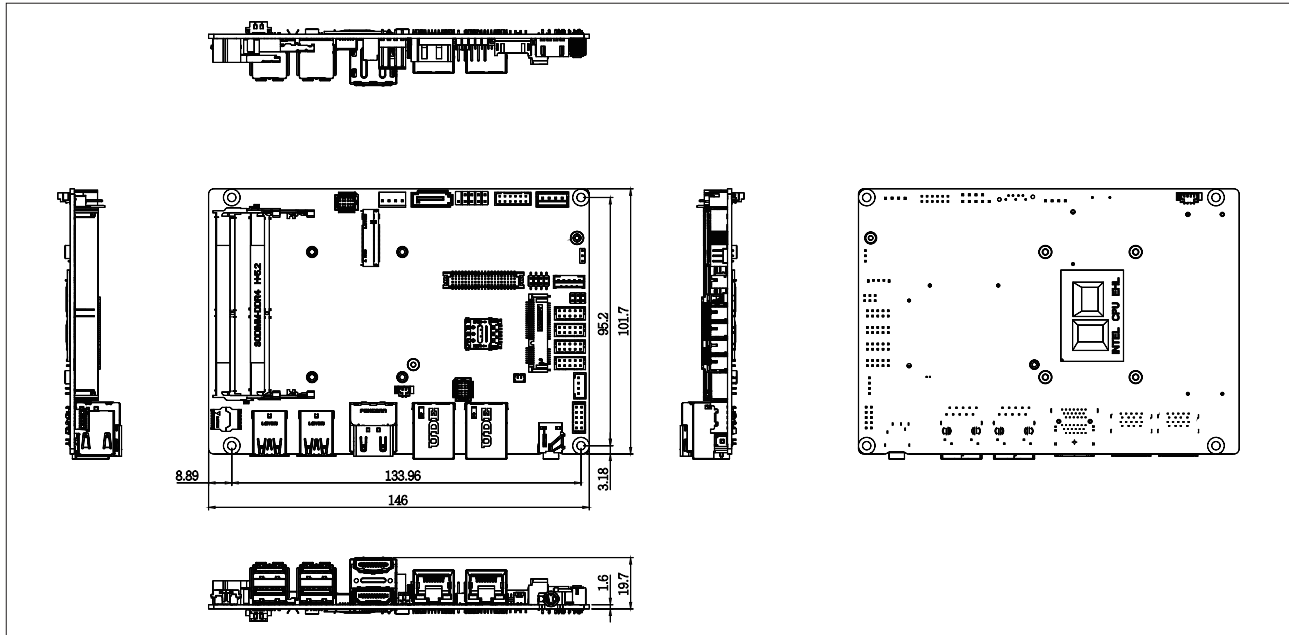
Specifications

Form Factor	3.5" SBC 146W x 101.7Dmm
CPU	Intel® Atom® x6413E Processor 10nm, 4 cores, 4 threads, up to 3.0 GHz TDP 9W
Socket	1 x FCBGA1493
Memory	2 x DDR4 SO-DIMM sockets, Max. Capacity 32 GB Support Dual channel DDR4 3200 MHz memory modules
Ethernet	2 x GbE LAN Ports
Video	Integrated Graphics Processor - Intel® UHD Graphics for 10th Gen Intel® Processors: 2 x HDMI 2.0 port, supporting a maximum resolution of 4096x2160 @60Hz 1 x LVDS port, supporting a maximum resolution of 1920x1200 @60Hz (3 independent display outputs)
Audio	Realtek® Audio Codec
Storage	1 x SATA 6Gb/s Port

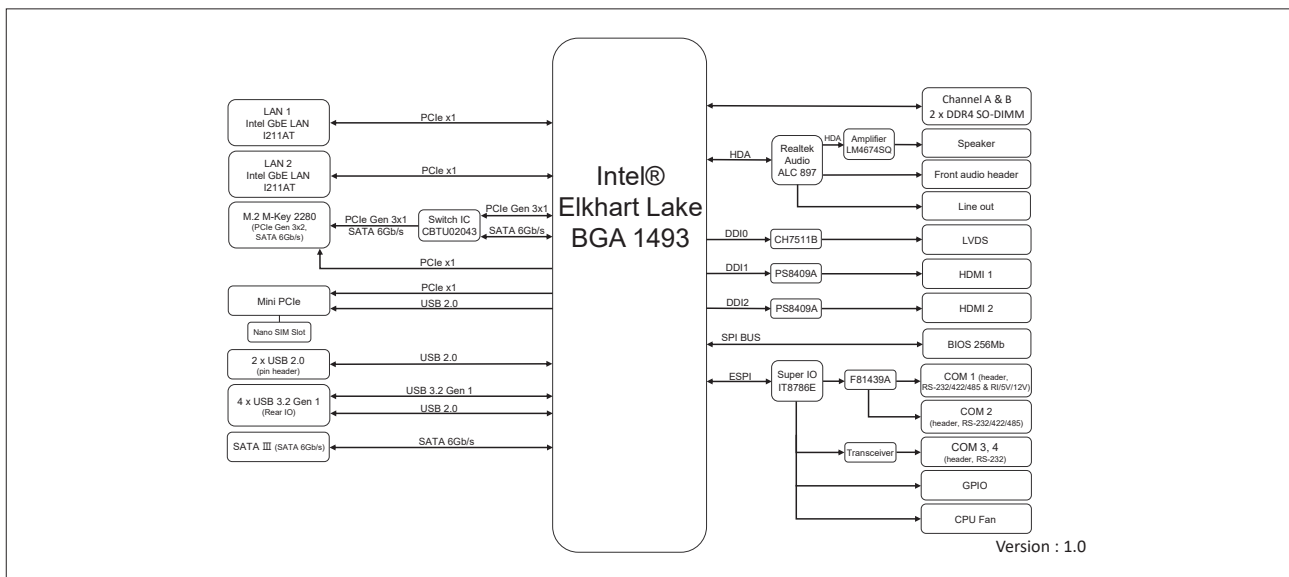
Expansion Slots	1 x 2280 M.2 M-Key (PCIe x2, SATA 6Gb/s) 1 x Full-size mini PCIe with SIM slot
Internal I/O	1 x 4-pin box power connector (DC in +9V~36VDC) 1 x SATA Power header 1 x CPU fan header 1 x Front panel header 1 x Front panel audio header 1 x 2W Speaker out header 2 x USB 2.0 headers 1 x COM header (RS-232/422/485 & RI/5V/12V) 1 x COM header (RS-232/422/485) 2 x COM headers (RS-232) 1 x Backlight Control header 1 x AT/ATX mode select jumper 1 x GPIO (8 bits) & SMBus header 1 x Buzzer header
Rear I/O	1 x Headphone Jack 2 x HDMI 2 x RJ45 LAN Ports 4 x USB 3.2 Gen 1
OS Compatibility	Windows 10 (x64)
Operating Properties	Operating temperature: -40°C to 85°C Operating humidity: 0-90% (non-condensing) Non-operating temperature: -40°C to 85°C Non-operating humidity: 0%-95% (non-condensing)
Packing Content	Carton size: 375 x 324 x 293 (mm) Packing Capacity: 10pcs Single Box size: 256 x 175 x 59 (mm) Including: SATA power Cable x 1 (P/N: 25CRI-200B02-K1R) Fanless Heatsink x 1 (P/N: 25ST1-12311E-A7R)
Order Information	9MEHLEASMR-SI1 (Box Packing)

- ※ Conditional DC-input 9V support with :
- (1) SATA_PWR support 5V only
 - (2) LVDS backlight cannot support
 - (3) Total power consumption under 50W

GIGAIPC reserves the right to modify or change technical data without prior notice.



Block Diagram



GIGAIPC reserves the right to modify or change technical data without prior notice.