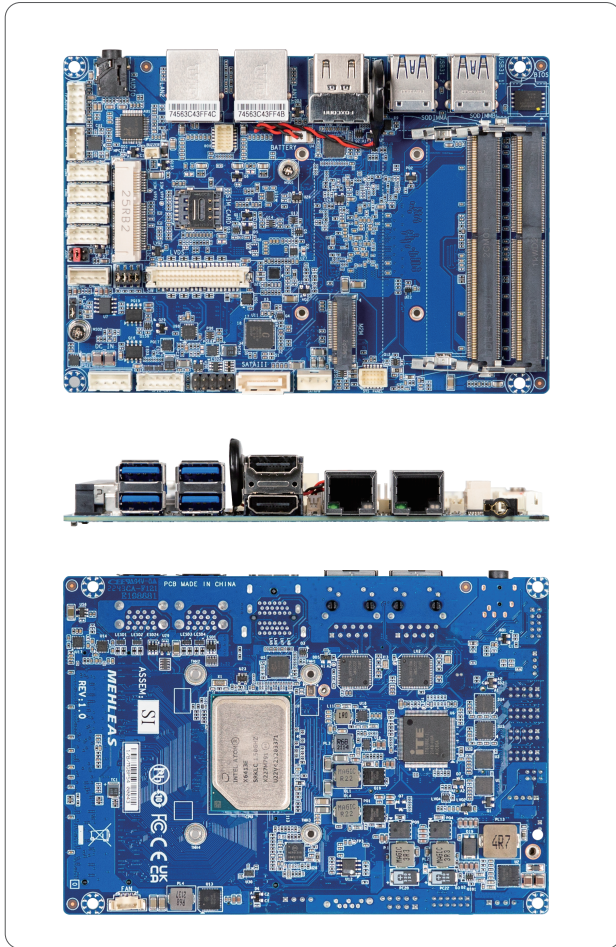


QBiP-x6413EA (MEHLEAS)

3.5" SubCompact Embedded Motherboard with Intel® Atom® x6413E Processor, Dual Channel DDR4 memory, 4 x COM, 1 x SATA 6Gb/s, 4 x USB 3.2 Gen 1, 2 x USB 2.0



Features

- 3.5" SBC
- Intel® Atom® x6413E
- Dual Channel DDR4, 2 x SO-DIMMs
- 2 x GbE LAN Ports
- 1 x SATA 6Gb/s Port
- M.2 with PCIe x2, SATA 6Gb/s
- 2 x HDMI, LVDS ports for multiple display
- 1 x COM Port (RS-232/422/485 & RI/5V/12V)
- 1 x COM Port (RS-232/422/485)
- 2 x COM Ports (RS-232)

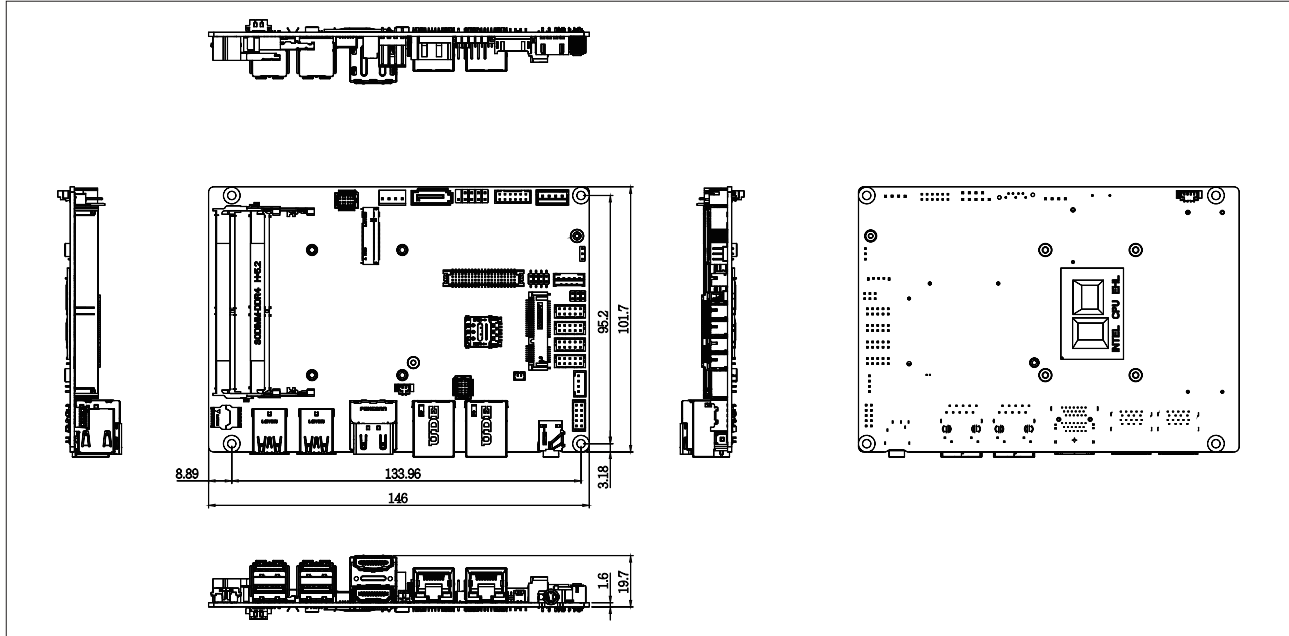
Expansion Slots	1 x 2280 M.2 M-Key (PCIe x2, SATA 6Gb/s) 1 x Full-size mini PCIe with SIM slot
Internal I/O	1 x 4-pin box power connector (DC in +9V~36VDC) 1 x SATA Power header 1 x CPU fan header 1 x Front panel header 1 x Front panel audio header 1 x 2W Speaker out header 2 x USB 2.0 headers 1 x COM header (RS-232/422/485 & RI/5V/12V) 1 x COM header (RS-232/422/485) 2 x COM headers (RS-232) 1 x Backlight Control header 1 x AT/ATX mode select jumper 1 x GPIO (8 bits) & SMBus header 1 x Buzzer header
Rear I/O	1 x Headphone Jack 2 x HDMI 2 x RJ45 LAN Ports 4 x USB 3.2 Gen 1
OS Compatibility	Windows 10 (x64)
Operating Properties	Operating temperature: 0°C to +60°C Operating humidity: 0-90% (non-condensing) Non-operating temperature: -40°C to +85°C Non-operating humidity: 0%-95% (non-condensing)
Packing Content	Carton size: 465 x 351 x 217 (mm) Packing Capacity: 10pcs Single Box size: 221 x 178 x 65 (mm) Including: SATA power Cable x 1 (P/N: 25CRI-200B02-K1R)
Order Information	9MEHLEASMR-SI (Box Packing)

- ※ Conditional DC-input 9V support with :
- (1) SATA_PWR support 5V only
 - (2) LVDS backlight cannot support
 - (3) Total power consumption under 50W

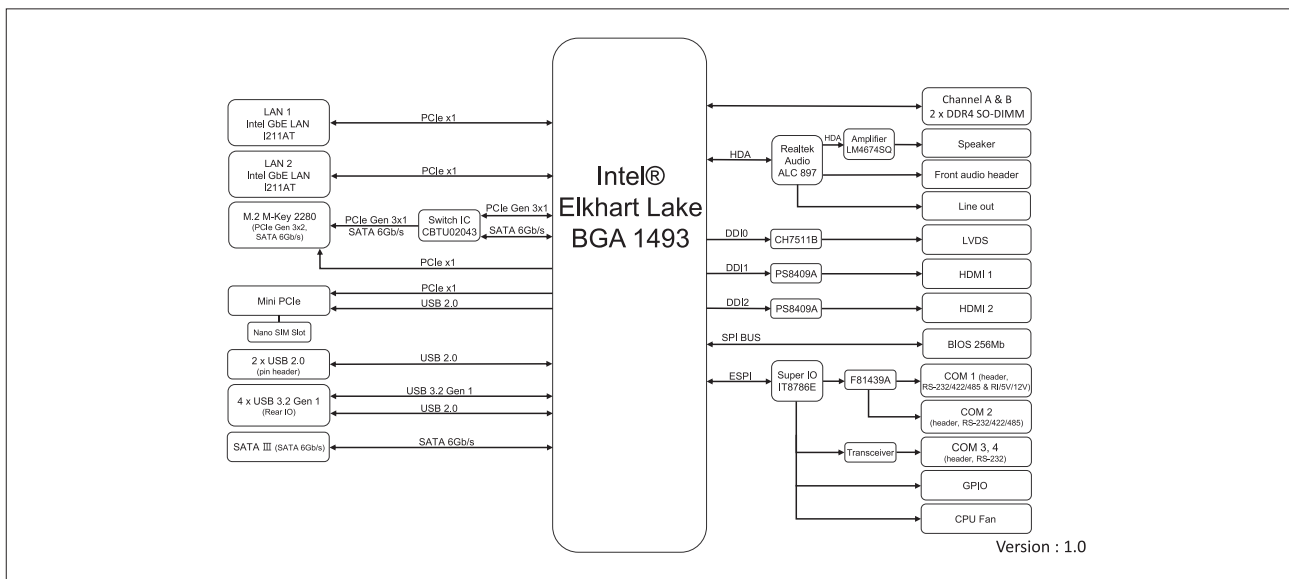
Specifications

Form Factor	3.5" SBC 146W x 101.7Dmm
CPU	Intel® Atom® x6413E Processor 10nm, 4 cores, 4 threads, up to 3.0 GHz TDP 9W
Socket	1 x FCBGA1493
Memory	2 x DDR4 SO-DIMM sockets, Max. Capacity 32 GB Support Dual channel DDR4 3200 MHz memory modules
Ethernet	2 x GbE LAN Ports
Video	Integrated Graphics Processor - Intel® UHD Graphics for 10th Gen Intel® Processors: 2 x HDMI 2.0 port, supporting a maximum resolution of 4096x2160 @60Hz 1 x LVDS port, supporting a maximum resolution of 1920x1200 @60Hz (3 independent display outputs)
Audio	Realtek® Audio Codec
Storage	1 x SATA 6Gb/s Port

GIGAIPC reserves the right to modify or change technical data without prior notice.



Block Diagram



Optional Kit

Part No.	Description	Quantity
25ST1-12311E-A7R	Fanless Heatsink	1

GIGAIPC reserves the right to modify or change technical data without prior notice.