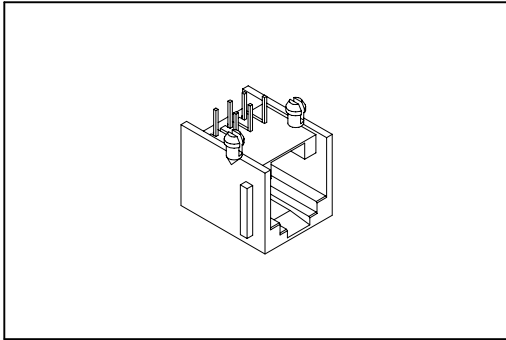


# 8949-F Series

## Modular Jack



### Material:

Housing: 30% Glass filled PBT UL94V-0.

Contacts: Phosphor Bronze.

Plating: Gold plated on contact area over Nickel.

### Electrical Characteristics:

Current Rating: 1.5 AMP.

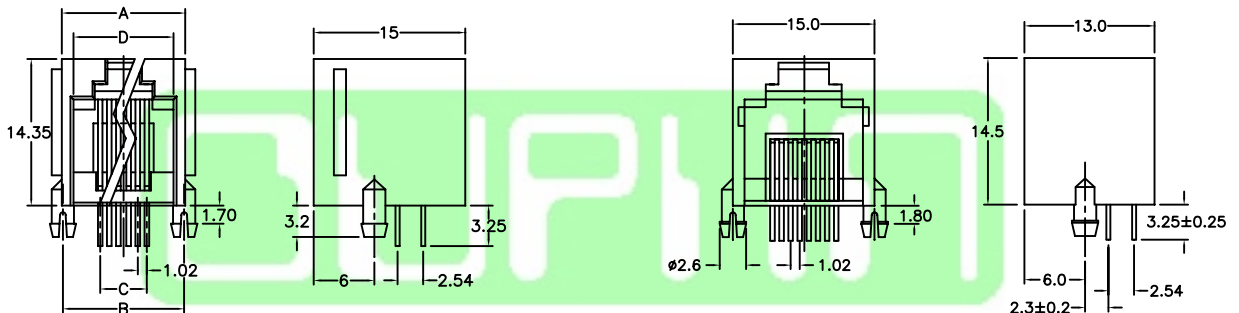
Insulator Resistance: 1000MΩ min. at DC 500V.

Contact Resistance: 30mΩ max. at DC 100mA.

Operating Temperature: -40°C~+85°C.

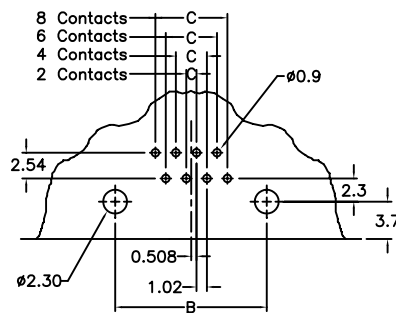
### Features:

- \* 50μ" gold meets FCC 68 requirements.
- \* Available in 4, 6, 8 position housing.
- \* Industry compatible profiles and foot prints.
- \* Available in selective loading.
- \* Contact pre-loaded and self aligned.



(4 & 6 Position)  
F Type

(8 Position)  
F1 Type



P.C. Board Layout  
(Top View)

No. of Position	No. of Contacts	Dimensions			
		A	B	C	D
4	4	12.20	12.00	3.08	7.80
6	2	12.20	12.00	1.02	9.80
6	4	12.20	12.00	3.08	9.80
8	6	12.20	12.00	5.10	9.80
8	8	15.00	15.00	7.14	12.20

## Ordering information

8949-	F	4	4	/06	Y	F	A
Series	*F: F Type **F1: F1 Type	4: 4 Position Housing 6: 6 Position Housing 8: 8 Position Housing	2: 2 Contacts Loaded 4: 4 Contacts Loaded 6: 6 Contacts Loaded 8: 8 Contacts Loaded	06: 6 μ" Gold Plated 15: 15 μ" Gold Plated 30: 30 μ" Gold Plated 50: 50 μ" Gold Plated	Y: Grey B: Black	F: With Flange N: W/O Flange	A: Tray Package

\* F Type Only for 4 & 6 Position

\*\* F1 Type Only for 8 Position