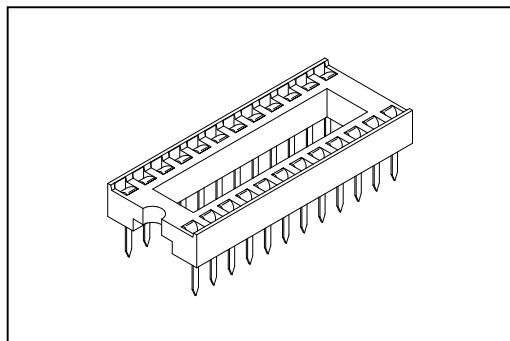


8003 Series

IC Socket 2.54mm(0.100")



Material:

Housing: Thermoplastic Polyester Glass Filled UL94V-0.

Contacts: Copper Alloy.

Electrical Characteristics:

Current Rating: 1 A.

Dielectric Withstanding Voltage: AC 500V.

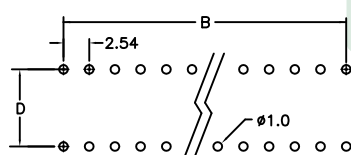
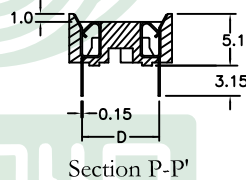
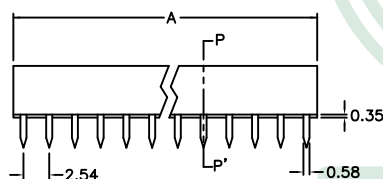
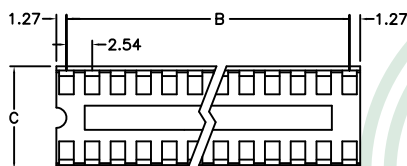
Insulator Resistance: 1000MΩ min.

Contact Resistance: 20mΩ max.

Operating Temperature: -25°C~+85°C.

Features:

- * Side to side and end to end stackable.
- * Dual leaf contact offers high reliability.
- * 6pin through 48 pin available.



P.C. Board Layout

Position	Dimension				
	Part No.	A	B	C	D
6	8003-06 T3	7.62	5.08	10.16	7.62
8	8003-08 T3	10.16	7.62	10.16	7.62
14	8003-14 T3	17.78	15.24	10.16	7.62
16	8003-16 T3	20.32	17.78	10.16	7.62
18	8003-18 T3	22.86	20.32	10.16	7.62
20	8003-20 T3	25.40	22.86	10.16	7.62
22	8003-22 T4	27.94	25.40	12.70	10.16
24	8003-24 T3	30.48	27.94	10.16	7.62
24	8003-24 T6	30.48	27.94	17.78	15.24
28	8003-28 T3	35.56	33.02	10.16	7.62
28	8003-28 T6	35.56	33.02	17.78	15.24
32	8003-32 T6	40.64	38.10	17.78	15.24
40	8003-40 T6	50.80	48.26	17.78	15.24
42	8003-42 T6	53.34	50.80	17.78	15.24
48	8003-48 T6	60.90	58.36	17.78	15.24

Ordering information

8003-

Series

24

No. of
Pin Count

T

T: Tin Plated

3

3: 7.62mm(0.30") Row Spacing
6: 15.24mm(0.60") Row Spacing

U

U: Tube Package

* 8003-K Self locking available, please consult factory.

Information including designs, specifications and components may be changed or updated without notice.