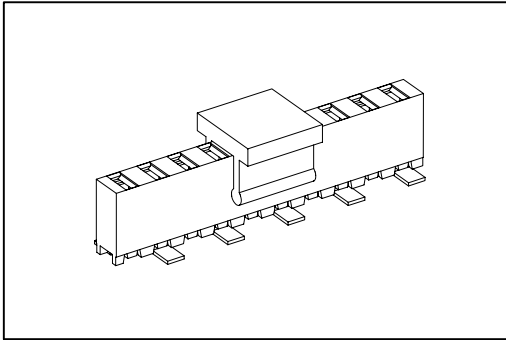


2143 Series

P.C.B. Socket 2.0mm(0.079")



Material:

Housing: High Temperature Plastic UL94V-0.

Contacts: Phosphor Bronze.

Electrical Characteristics:

Current Rating: 1 A.

Dielectric Withstanding Voltage: AC 500V.

Insulator Resistance: 1000MΩ min.

Contact Resistance: 20mΩ max.

Operating Temperature: -65°C~+125°C.

Features:

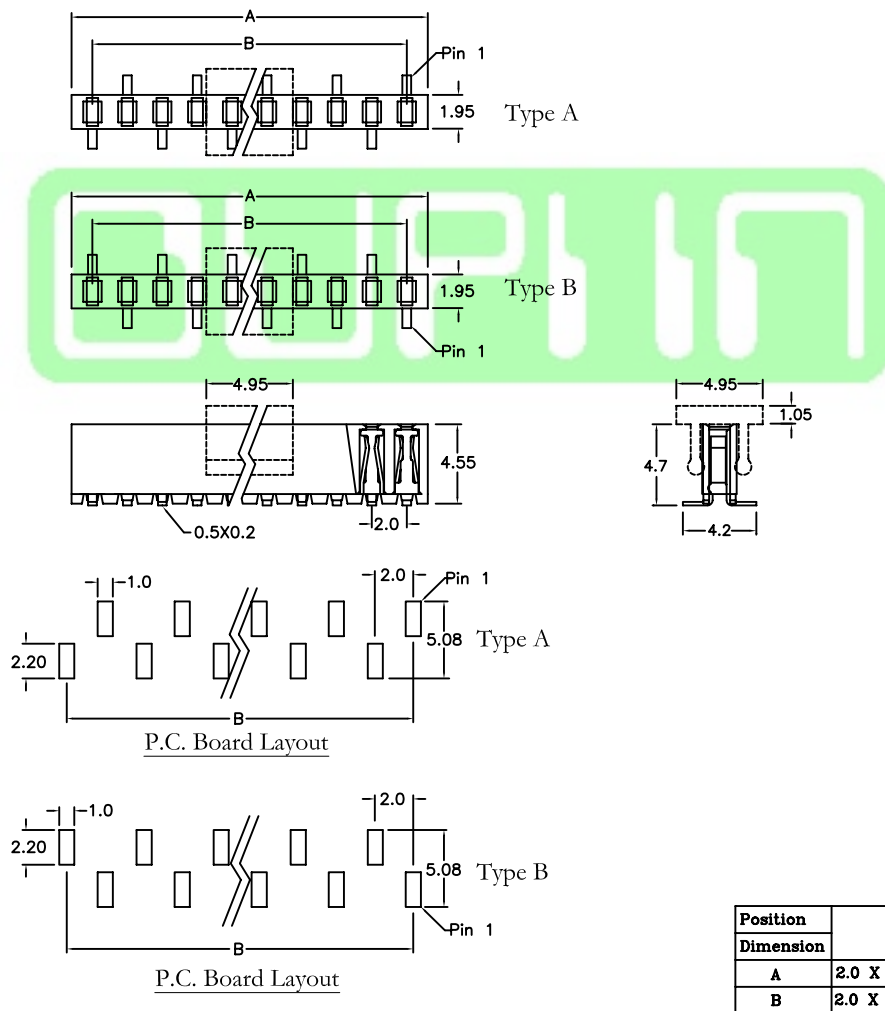
* Surface Mount.

* Low profile 4.55mm(0.179").

* Two choice of foot print.

* Mates with 0.5mm(0.02") sq. pin.

Mates with: 2111,2112,2113,2114,2115



Position	2 Thru 40
Dimension	
A	2.0 X No. of Positions +0.4
B	2.0 X No. of Positions -2.0

Ordering information

2143- 1 X 10 G 00 D A T - P
 Series Single Row No.of Pin Per Row G: Gold Plated 00: G/F D: SMD Type A: Type A B: Type B T: Tape & Reel Package U: Tube Package Blank: W/O Pad P: Plastic Pad M: Metal Pad S: Tape Seal Pad