

# NCS-M185P-J19

## 18,5" Industrial panel monitor

### Features

- › resolution: 1920×1080
- › contrast 1000:1
- › luminance 300 cd/m<sup>2</sup>
- › fanless construction
- › LED backlight
- › 5ms response time
- › 10-point touch projection capacitive touchscreen
- › IP65 waterproof front panel
- › ultra-slim front frame (2,5 mm)
- › 7 Mohs screen hardness
- › continuous work 7x24h
- › 12-36V DC power supply

### Description

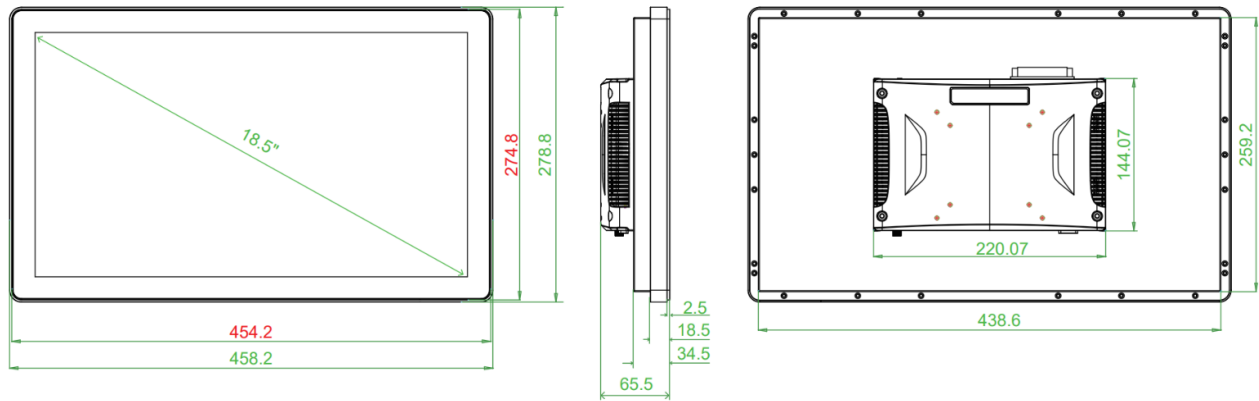
The NCS-M185P-J19 is an advanced industrial panel designed for integration into control cabinets. Its high-quality aluminium alloy construction, IP65 compliance and extensive configuration options make it ideal for demanding industrial environments. With its ultra-thin 2.5mm edge panel and seamless recessed installation, the unit combines aesthetics and functionality, harmonising with advanced industrial technology.



### Specification

<b>LCD</b>	display type	18,5" TFT LCD (16:9)
	max. resolution	1920 x 1080
	viewing angle (LxRxUxD)	89x89x89x89
	luminance (cd/m <sup>2</sup> )	300
	contrast ratio	1000:1
<b>Touch screen</b>	type	capacitive, 10-point
	light transmission	≥ 88%
	controller	USB interface
<b>I/O ports</b>	power interface	1 x DC (5,5 x 2,1mm)
	Phoenix terminal	1 x Phoenix terminal, support 12V-36V wide voltage power supply
	HDMI	1 x HDMI, support HDMI data input, with a maximum of 1080P
	touch interface	1 x TOUCH (RJ45)
	DVI	1 x DVI, digital signal transmission
	VGA	1 x VGA, analog signal transmission
	audio	1 x audio I/O
<b>Physical</b>	grounding	1 x GND
	dimensions (WxHxD)	458,2 × 278,8 × 65,5 mm
	material	aluminium
	color	black, optional silver
<b>Power</b>	installation	supports embedded installation with iron sheet, back-mounted, etc
	power input	12 ~ 36 VDC
	external power supply unit	24V / 2,5A
<b>Environment</b>	working temperature	-10 ~ 60°C
	storage temperature	-20 ~ 70°C
	humidity	95% @ 40°
	shock	10 G (11 ms ), complies with IEC 60068-2-27
	vibration	5~500Hz, 2Grms with SSD, complies with IEC 60068-2-64
	EMC	CE, FCC Class B, BSMI, EN60601-1-2, UKCA
	safety	CB, UL, CCC, UKCA
	front panel protection rating	IP65

## Dimensions



## Configurations available

P/N	Configuration
NCS-M185P-J19-R1	18,5" monitor, 16:9, 1920:1080, 300 cd/m2, IP65, black, capacitive touchscreen, -10°C~60°C , 12-36VDC
NCS-M185P-J19-HB-R1	18,5" monitor, 16:9, 1920:1080, 1000 cd/m2, IP65, black, capacitive touchscreen, -10°C~60°C , 12-36VDC
NCS-M185P-J19-HBWT-R1	18,5" monitor, 16:9, 1920:1080, 1000 cd/m2, IP65, black, capacitive touchscreen, -20°C~70°C , 12-36VDC
NCS-M185P-J19-WT-R1	18,5" monitor, 16:9, 1920:1080, 300 cd/m2, IP65, black, capacitive touchscreen, -20°C~70°C , 12-36VDC

## Available options

- › high brightness (1000 cd/m2)
- › wide temperature range (-20 ~ 70°C)
- › wall mount
- › mounting arm

## Package content

- › panel monitor with touchscreen
- › 230V power supply with wiring
- › panel mounting kit
- › user information

