

# NCS-M12P-J19

## 12" Industrial panel monitor



CE FCC

### Features

- › resolution: 1024×768
- › contrast 1000:1
- › luminance 500 cd/m<sup>2</sup>
- › fanless construction
- › LED backlight
- › 5ms response time
- › 10-point touch projection capacitive touchscreen
- › IP65 waterproof front panel
- › ultra-slim front frame (2,5 mm)
- › 7 Mohs screen hardness
- › continuous work 7x24h
- › 12-36V DC power supply

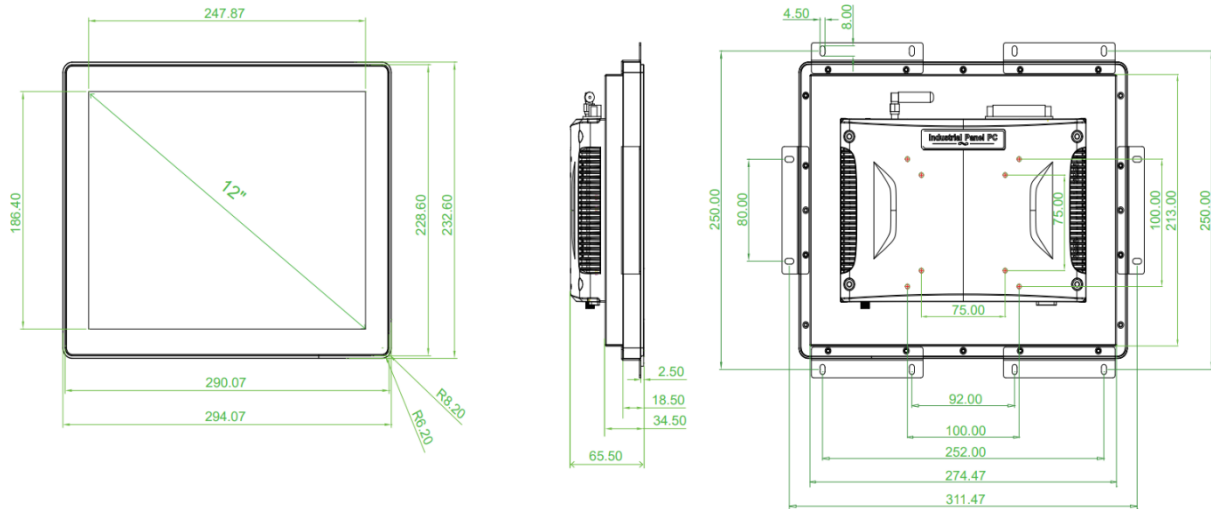
### Description

NCS-M12P-J19 is an advanced touch panel designed for demanding industrial environments and applications in automation. Featuring a thin aluminum frame of just 2.5 mm and an IP65-rated front panel, the device perfectly combines aesthetics with ruggedness. With support for a wide range of interfaces and compatibility with 99% of industrial software, the panel is an ideal choice for applications in control cabinets and embedded systems.

### Specification

<b>LCD</b>	display type	12" TFT LCD (4:3)
	max. resolution	1024 x 768
	viewing angle (LxRxUxD)	85x85x85x85
	luminance (cd/m <sup>2</sup> )	500
	contrast ratio	1000:1
<b>Touch screen</b>	type	capacitive, 10-point
	light transmission	≥ 88%
	controller	USB interface
<b>I/O ports</b>	power interface	1 x DC (5,5*2,1 mm)
	Phoenix terminal	1 x Phoenix terminal, support 12V-36V wide voltage power supply
	HDMI	1 x HDMI, support HDMI data input, with a maximum of 1080P
	touch interface	1 x TOUCH (RJ45)
	DVI	1 x DVI, digital signal transmission
	VGA	1 x VGA, analog signal transmission
	audio	1 x audio I/O
<b>Physical</b>	grounding	1 x GND
	dimensions (WxHxD)	294,07 × 232,6 × 65,5 mm
	material	aluminium
	color	black, optional silver
	installation	supports embedded installation with iron sheet, back-mounted, etc
<b>Power</b>	power input	12 ~ 36 VDC
	external power supply unit	24V / 2,5A
<b>Environment</b>	working temperature	-10 ~ 60°C
	storage temperature	-20 ~ 70°C
	humidity	95% @ 40°
	shock	10 G (11 ms ), complies with IEC 60068-2-27
	vibration	5~500Hz, 2Grms with SSD, complies with IEC 60068-2-64
	EMC	CE, FCC Class B, BSMI, EN60601-1-2, UKCA
	safety	CB, UL, CCC, UKCA
	front panel protection rating	IP65

## Dimensions



## Configurations available

P/N	Configuration
NCS-M12P-J19-R1	12" monitor, 4:3, 1024:768, 500 cd/m <sup>2</sup> , IP65, black, capacitive touchscreen, -10°C~60°C, 12-36 VDC
NCS-M12P-J19-HB-R1	12" monitor, 4:3, 1024:768, 1000 cd/m <sup>2</sup> , IP65, black, capacitive touchscreen, -10°C~60°C, 12-36 VDC
NCS-M12P-J19-HBWT-R1	12" monitor, 4:3, 1024:768, 1000 cd/m <sup>2</sup> , IP65, black, capacitive touchscreen, -20°C~70°C, 12-36 VDC
NCS-M12P-J19-WT-R1	12" monitor, 4:3, 1024:768, 500 cd/m <sup>2</sup> , IP65, black, capacitive touchscreen, -20°C~70°C, 12-36 VDC

## Available options

- › high brightness (1000 cd/m<sup>2</sup>)
- › wide temperature range (-20 ~ 70°C)
- › wall mount
- › mounting arm

## Package content

- › panel monitor with touchscreen
- › 230V power supply with wiring
- › panel mounting kit
- › user information