

# NCS-M116P-J1

## 11,6" Industrial panel monitor



CE FCC

### Features

- › resolution: 1920×1080
- › contrast 1000:1
- › luminance 300 cd/m<sup>2</sup>
- › fanless construction
- › LED backlight
- › 5ms response time
- › 10-point touch projection capacitive touchscreen
- › IP65 waterproof front panel
- › ultra-slim front frame (2,5 mm)
- › 7 Mohs screen hardness
- › continuous work 7x24h
- › 12-36V DC power supply

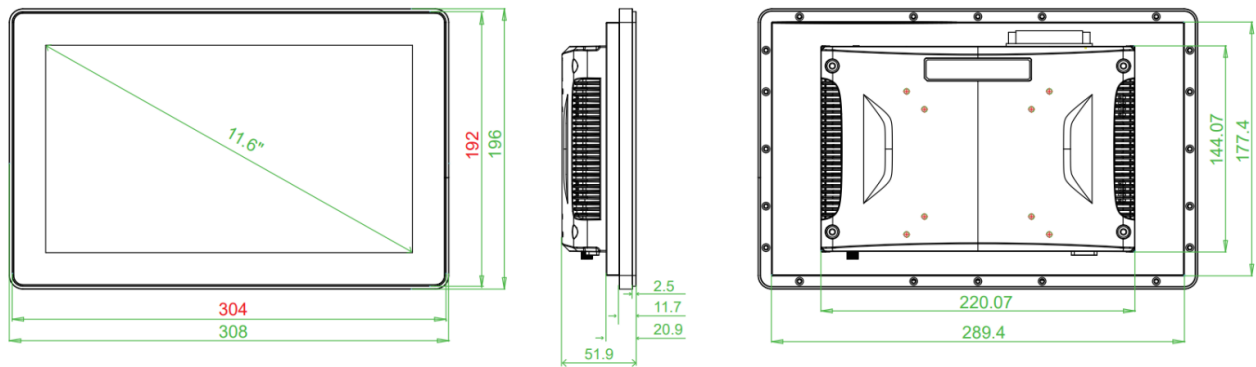
### Description

The NCS-M116P-J1 is a professional industrial panel designed for the highest standards of technology and reliability. Its unique aluminium construction, compliance with IP65 protection standards and advanced features make the product ideal for demanding industrial environments. This unit combines elegance, functionality and durability, enhancing the modern character of any installation.

### Specification

<b>LCD</b>	display type	11,6" TFT LCD
	max. resolution	1920 x 1080
	viewing angle (LxRxUxD)	85x85x85x85
	luminance (cd/m <sup>2</sup> )	300
	contrast ratio	1000:1
<b>Touch screen</b>	type	capacitive, 10-point
	light transmission	≥ 88%
	controller	USB interface
<b>I/O ports</b>	power interface	1 x DC 2.1, support 12V-36V wide voltage power supply
	HDMI	1 x HDMI, support HDMI data input, with a maximum of 1080P
	touch interface	1 x TOUCH (RJ45)
	DVI	1 x DVI, digital signal transmission
	VGA	1 x VGA, analog signal transmission
	audio	1 x audio I/O
	grounding	1 x GND
<b>Physical</b>	dimensions (WxHxD)	308 × 196 × 51,9 mm
	material	aluminium
	color	black, optional silver
	installation	supports embedded installation with iron sheet, back-mounted, etc
<b>Power</b>	power input	12 ~ 36 VDC
	power supply	24V / 2,5A
<b>Environment</b>	working temperature	-10 ~ 60°C
	storage temperature	-20 ~ 70°C
	humidity	95% @ 40°
	shock	10 G (11 ms ), complies with IEC 60068-2-27
	vibration	5~500Hz, 2Grms with SSD, complies with IEC 60068-2-64
	EMC	CE, FCC Class B, BSMI, EN60601-1-2, UKCA
	safety	CB, UL, CCC, UKCA
	front panel protection rating	IP65

## Dimensions



## Configurations available

P/N	Configuration
NCS-M116P-J1-R1	11,6" monitor, 16:9, 1920:1080, 300 cd/m2, IP65, black, capacitive touchscreen, -10°C~60°C , 12-36VDC
NCS-M116P-J1-HB-R1	11,6" monitor, 16:9, 1920:1080, 1000 cd/m2, IP65, black, capacitive touchscreen, -10°C~60°C , 12-36VDC
NCS-M116P-J1-HBWT-R1	11,6" monitor, 16:9, 1920:1080, 1000 cd/m2, IP65, black, capacitive touchscreen, -20°C~70°C , 12-36VDC
NCS-M116P-J1-WT-R1	11,6" monitor, 16:9, 1920:1080, 300 cd/m2, IP65, black, capacitive touchscreen, -20°C~70°C , 12-36VDC

## Available options

- › high brightness (1000 cd/m2)
- › wide temperature range (-20 ~ 70°C)
- › wall mount
- › mounting arm

## Package content

- › panel monitor with touchscreen
- › power supply with wiring
- › panel mounting kit
- › user information

