

NCS-M101P-J2

10,1" Industrial panel monitor



Features

- › resolution: 1280×800
- › contrast 1000:1
- › luminance 300 cd/m²
- › fanless construction
- › LED backlight
- › 5ms response time
- › 10-point touch projection capacitive
- › IP65 waterproof front panel
- › ultra-slim front frame (3 mm)
- › 7 Mohs screen hardness
- › continuous work 7x24h
- › 12-36V DC power supply

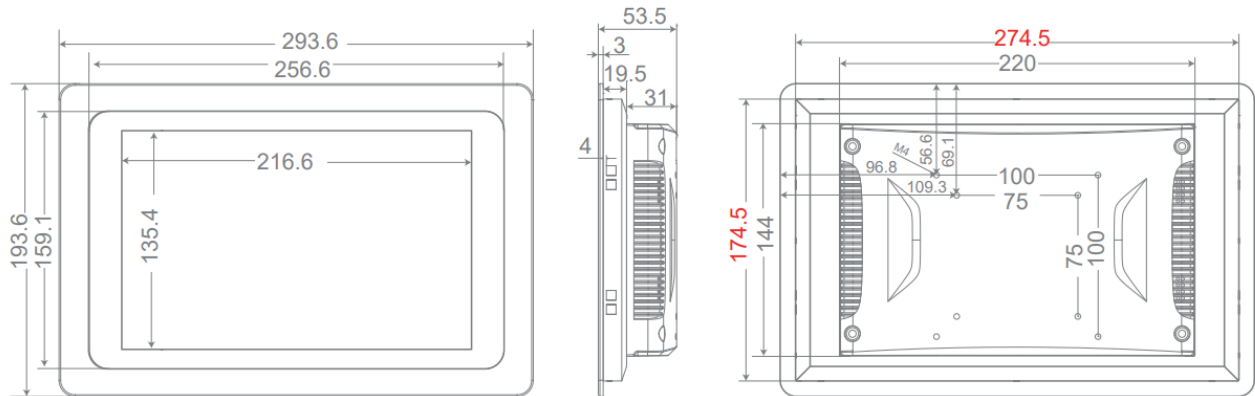
Description

The NCS-M101P-J2HB is an advanced touch panel with a robust design that combines durability, functionality and aesthetics in an ultra-thin aluminium housing. The unit features a fanless design, sealed construction and low power consumption, making it ideal for use in harsh industrial environments. The use of a proprietary display control board and a wide range of interfaces allows for versatile use in applications such as industrial automation, communications, military, power generation or intelligent self-service terminals.

Specification

LCD	display type	10,1" TFT LCD
	max. resolution	1280 x 800
	viewing angle (LxRxUxD)	85x85x85x85
	luminance (cd/m ²)	300
	contrast	1000:1
Touch screen	type	capacitive, 10-point
	light transmission	≥ 88%
	controller	USB interface
I/O ports	power interface	1 x DC 2.1, support 12V-36V wide voltage power supply
	HDMI	1 x HDMI, support HDMI data input, with a maximum of 1080P
	touch interface	1 x TOUCH (RJ45)
	DVI	1 x DVI, digital signal transmission
	VGA	1 x VGA, analog signal transmission
	audio	1 x audio I/O
Physical	grounding	1 x GND
	dimensions (WxHxD)	293,6 × 193,6 × 53,5 mm
	material	aluminium
	color	black, optional silver
	installation	supports embedded installation with iron sheet, back-mounted, etc
Power	power input	12 ~ 36 VDC
	power supply	24V / 2,5A
Environment	working temperature	-10 ~ 60°C
	storage temperature	-20 ~ 70°C
	humidity	95% @ 40°
	shock	10 G (11 ms), complies with IEC 60068-2-27
	wibration	5~500Hz, 2Grms with SSD, complies with IEC 60068-2-64
	EMC	CE, FCC Class B, BSMI, EN60601-1-2, UKCA
	safety	CB, UL, CCC, UKCA
	front panel protection rating	IP65

Dimensions



Configurations available

P/N	Configuration
NCS-M101P-J2-R1	10,1" monitor, 16:10, 1280:800, 300 cd/m ² , IP65, black, capacitive touchscreen, -10°C~60°C, 12-36VDC
NCS-M101P-J2-HB-R1	10,1" monitor, 16:10, 1280:800, 1000 cd/m ² , IP65, black, capacitive touchscreen, -10°C~60°C, 12-36VDC
NCS-M101P-J2-HBWT-R1	10,1" monitor, 16:10, 1280:800, 1000 cd/m ² , IP65, black, capacitive touchscreen, -20°C~70°C, 12-36VDC
NCS-M101P-J2-WT-R1	10,1" monitor, 16:10, 1280:800, 300 cd/m ² , IP65, black, capacitive touchscreen, -20°C~70°C, 12-36VDC

Available options

- › high brightness (1000 cd/m²)
- › wide temperature range (-20 ~ 70°C)
- › wall mount
- › mounting arm

Package content

- › panel monitor with touchscreen
- › power supply with wiring
- › panel mounting kit
- › user information

