



## I-87064

8-ch Power Relay Module (5A Rating Current)

## I-87064-G

### Features

- 8-channel Power Relay Output
- Form A Power Relay Output
- 3000 V<sub>DC</sub> Intra-module Isolation
- Configurable Power-on Value
- Configurable Safe Value



### Introduction

The I-87064 module provides 8 Form A Relay Output channels, and is an ideal solution for high-power applications. The I-87064 includes 8 LED indicators that can be used to monitor the status of the Relay Output channels, and options are available for configuring power-on and safe values. 4 kV ESD protection and 3000 V<sub>DC</sub> intra-module isolation are also provided to enhance the noise protection capabilities of the module in harsh industrial environments.

### Applications

- Building Automation
- Machine Automation
- Remote Diagnosis
- Factory Automation
- Remote Maintenance
- Testing Equipment

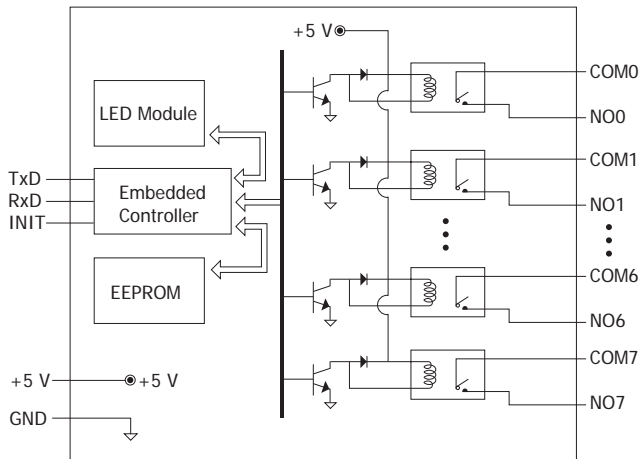
### System Specifications

CPU Module	
Watchdog Timer	Yes, Module (1.6 Seconds), Communication (Programmable)
Isolation	
Intra-module Isolation	3000 V <sub>DC</sub>
LED Indicators	
Status	1 x Power and Communication 8 x I/O
COM Ports	
Baud Rate	115200 bps
Data Format	N, 8, 1
Protocol	DCON
Power	
Power Consumption	2.4 W Max.
Mechanical	
Dimensions (W x L x H)	31 mm x 116 mm x 88 mm
Environment	
Operating Temperature	-25 ~ +75 °C
Storage Temperature	-30 ~ +75 °C
Humidity	5 ~ 95% RH, Non-condensing

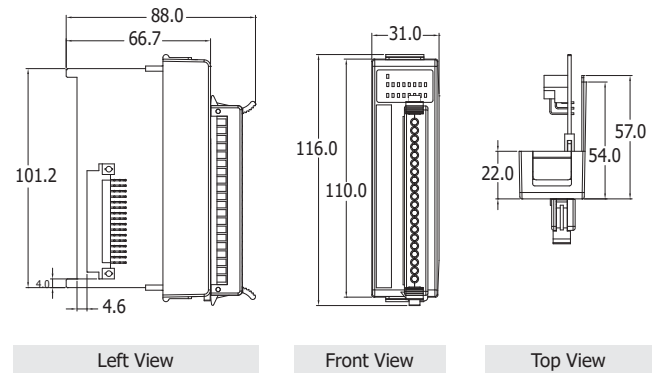
### I/O Specifications

Relay Output	
Channels	8 (Form A)
Type	Power Relay
Contact Rating	Form A: 5 A @ 250 V <sub>AC</sub> (Resistive Load) 5 A @ 30 V <sub>DC</sub> (Resistive Load)
Operate Time	6 ms (Max.)
Release Time	3 ms (Max.)
Electrical Endurance	1 x 10 <sup>5</sup> ops.
Mechanical Endurance	2 x 10 <sup>7</sup> ops.
Power-on Value	Yes
Safe Value	Yes

## Internal I/O Structure



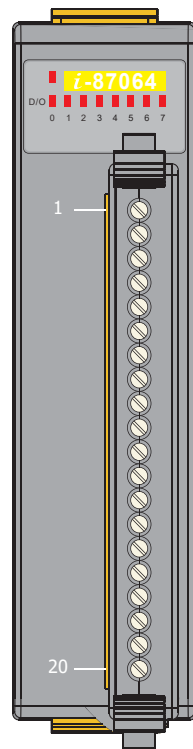
## Dimensions (Units: mm)



## Wire Connections

Output Type	ON State Readback as 1	OFF State Readback as 0
Relay Output		

## Pin Assignments



Terminal No.	Pin Assignment
01	NO0
02	COM0
03	NO1
04	COM1
05	-
06	NO2
07	COM2
08	NO3
09	COM3
10	-
11	NO4
12	COM4
13	NO5
14	COM5
15	-
16	NO6
17	COM6
18	NO7
19	COM7
20	-

## Ordering Information

<b>I-87064 CR</b>	8-ch Form A Power Relay Module (5A Rating Current) (Blue Cover) (RoHS)
<b>I-87064-G CR</b>	8-ch Form A Power Relay Module (5A Rating Current) (Gray Cover) (RoHS)