

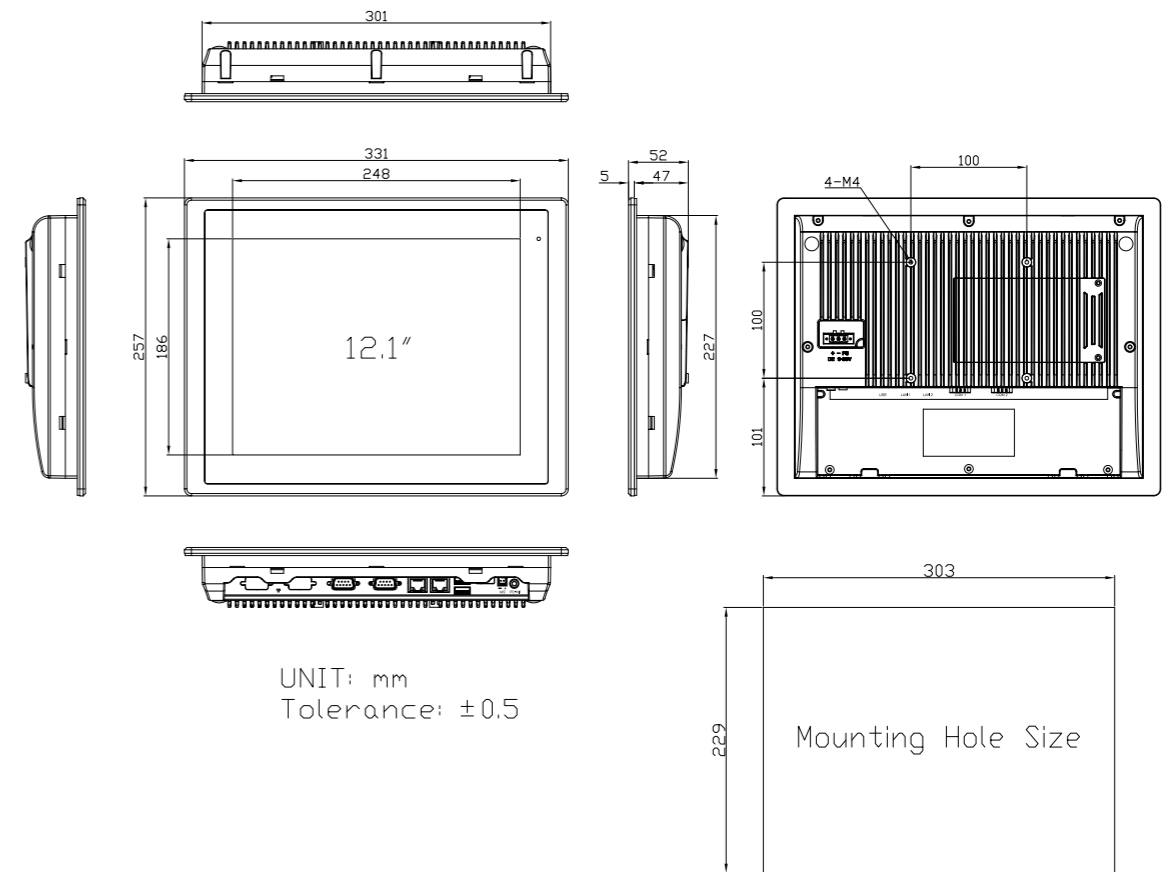
Features

- 12.1" Food Industrial Panel PC
- Intel Celeron N2930 Processor
- Onboard 4GB DDR3L 1333 MHz
- Flat and stainless steel front panel design
- Fanless design
- Wide range DC 9~36V power input

Specifications

System		
CPU	Onboard Intel Celeron N2930 Processor (2M Cache,1.83GHz)	
System Chipset	SoC	
Memory	Onboard 4GB DDR3L SDRAM	
IO Port		
USB	2 x USB 3.0 type A	
Serial / Parallel	1 x RS-232/422/485 DB-9, default RS-232(COM1) 1 x RS-232 DB-9(COM2)	
LAN	2 x GbE LAN RJ-45	
Audio	1 x Line Out	
Power	1 x 3-pin DC Power input terminal 1 x 2-pin connector for power on/off button	
Option	VESA Stand 4G LTE/Wi-Fi/BT 4 x USB 2.0 (TB-528U4) 4 x USB 2.0 + 1 x Mini PCIe + 1 x SIM slot (TB-528U4ME1) 1 x COM (RS-232) + 2 x USB 2.0 (TB-528C1U2) 1 x COM (RS-232) + 2 x USB 2.0 + 1 x Power Button (TB-528C1U2P1) 2 x COM (RS-232) (TB-528C2) 2 x COM (RS-232) + 1 x Mini PCIe slot + 1 x SIM slot (TB-528C2ME1) 2 x COM (RS-422/485, isolated) (TB-528C2I) 2 x CAN (TB-528CAN2) 1 x LAN + 2 x USB 2.0 (TB-528E1U2) 1 x LAN + 2 x USB 2.0, 25W (TB-528NE1U2POE)* 1 x LAN + 2 x USB 2.0, 25W (TB-528E1U2POE)* 1 x LAN + 2 x USB 2.0, 45W PoE (TB-528E1U2UPOE) UPS Battery 21Wh/10.8Wh/1.95Ah(3S1P) System is only allowed to build in either I/O board TB-528 series or UPS battery	
Storage Space		
HDD/SSD	1 x 2.5" SATA HDD/SSD bay (Easy Accessible)	
Others	1 x internal SD slot onboard	
Expansion		
Expansion Slot	1 x Internal Mini-PCIe slot full size 1 x SD card holder	
Display		
	Standard	High Brightness Optional
Display Type	12.1" TFT-LCD	12.1" TFT-LCD
Max. Resolution	800 x 600 1024 x 768	800 x 600 1024 x 768
Max. Color	262k / 16.2M	262K / 16.2M
Luminance (cd/m <sup>2</sup> )	450 / 500	1000 / 1000
View Angle	178(H) / 178(V) 178(H) / 178(V)	178(H) / 178(V) 160(H) / 140(V)
Contrast	1500:1 / 700:1	700:1
Backlight Lifetime	50,000 hrs / 30,000 hrs	50,000 hrs / 50,000 hrs
Touch Screen		
Type	Projected Capacitive Touch (for P model) Resistive Touch (for R model) Glass (for G model)	
Interface	USB	
Light Transmission(%)	Resistive Touch: over 80% Projected Capacitive Touch: over 90%	

Dimensions



Power	
Power Input	DC 9~36V
Power Consumption	FABS-812P: 32W (MAX)
Mechanical	
Construction	304 Stainless steel front bezel (Default) 316 Stainless steel front bezel (Optional) Aluminum die-casting back cover
Mounting	Panel mount, VESA mount 100 x 100
IP Rating	IP66/IP69K compliant front bezel
Dimensions	331 x 257 x 52 mm
Net Weight	3.4 kg
Environmental	
Operating Temperature	0~50°C / -20~60°C (option)
Storage Temperature	-30~70°C
Humidity	10 to 95% @ 40°C, non- condensing
Certificate	R/P/G/RH/PH/GH Model: CE/FCC Class A P/G Model: EN 1672-2 (option)
Operating System Support	
Windows 10 IoT	
Ordering Information	
FABS-812P (Barebone)	12.1" SVGA fanless HMI barebone with Celeron N2930(1.83.GHz ) CPU, 4GB DDR3L RAM, Projected Capacitive touch., 9~36VDC input with adapter, Stainless front bezel and Aluminum chassis.
FABS-812G (Barebone)	12" SVGA/ XGA fanless HMI barebone with Celeron N2930 (1.83.GHz ) CPU, 4GB DDR3L RAM, Protection Glass, 9~36V DC input with adapter, Stainless front bezel and Aluminum chassis.

\*PoE limitation: CPU turbo off, rear I/O no loading, 70% LED backlight, PSE cable length < 50m