


PLUG IN TYPE TERMINAL BLOCK

ETB41,43 SERIES

 E133988(R)

FEATURES

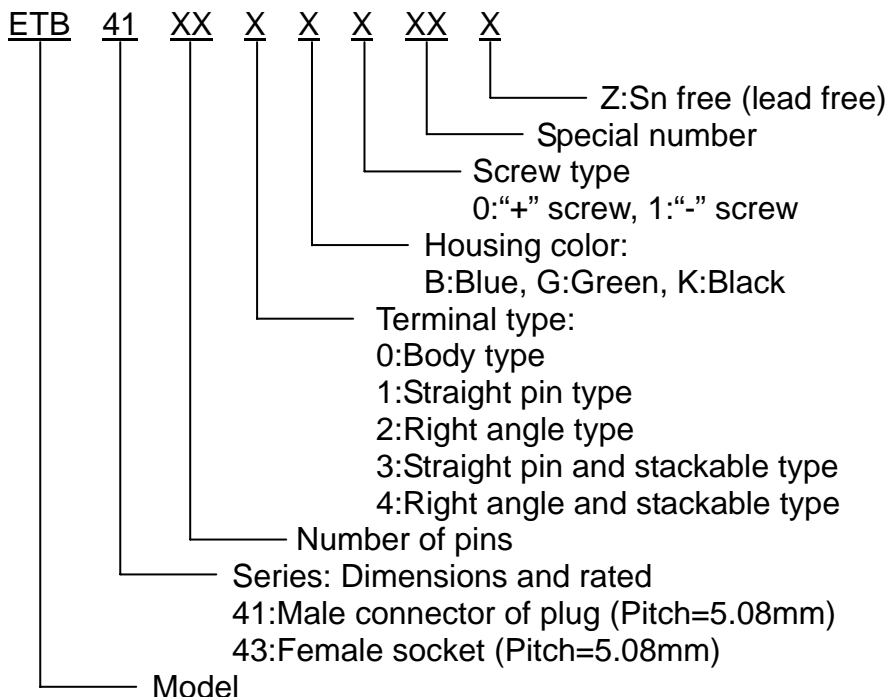
- Special wire protector design to ensure reliable wire clamping
- Be capable of clamping a wide range of wire diameters
- The male connector of plug using a twin leaf phosphor bronze contact mates with the female socket
- The female socket is mounted and soldered to the P.C.B.
- Good for insertion & withdrawal
- UL 94V-0 grade fire retardant engineering plastic used for the housing

SPECIFICATIONS

- | | |
|-------------------------|-------------------------------|
| ● Pitch | 5.08mm(0.2inch) |
| ● Wire range | 12 AWG to 24 AWG |
| ● Rated | 10 Amp, 300 VAC |
| ● Housing material | Polyamide 66 (UL 94V-0) resin |
| ● Terminals | Tin plated over Brass |
| ● Screws | Zinc plated over Steel |
| ● Wire cage | Nickel Plated over Zinc Alloy |
| ● Wire protector | Nickel plated over Brass |
| ● Dielectric strength | 2000 VAC (Min.) |
| ● Insulation resistance | 500 M Ω , 500 VDC |

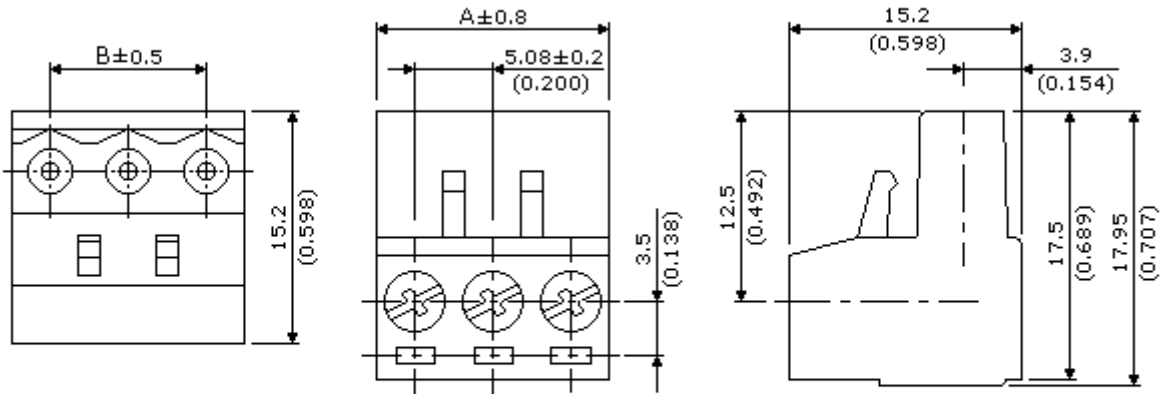


PART NUMBERING SYSTEM



DRAWING

DIMENSIONS UNIT:mm(inch)
ETB41**0 SERIES

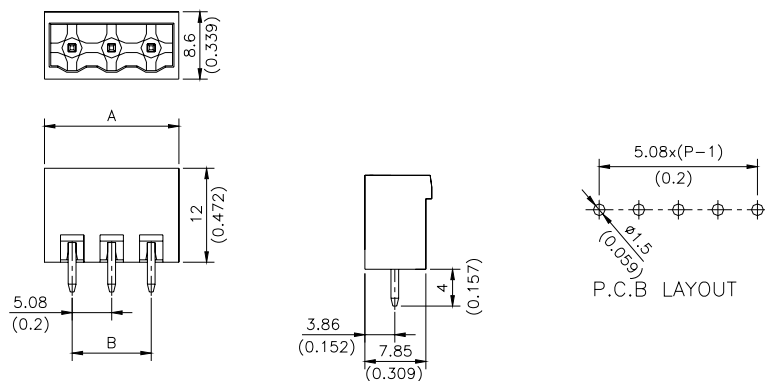


Pitch=5.08mm(0.2inch)

**NUMBER OF POLE 02~16.

POLE	2	3	4	5	6	7	8	9	10	11	12	13	14	15	16
$A \pm 0.8$	10.16 (0.400)	15.24 (0.600)	20.32 (0.800)	25.40 (1.000)	30.48 (1.200)	35.56 (1.400)	40.64 (1.600)	45.72 (1.800)	50.80 (2.000)	55.88 (2.200)	60.96 (2.400)	66.04 (2.600)	71.12 (2.800)	76.20 (3.000)	81.28 (3.200)
$B \pm 0.5$	5.08 (0.200)	10.16 (0.400)	15.24 (0.600)	20.32 (0.800)	25.40 (1.000)	30.48 (1.200)	35.56 (1.400)	40.64 (1.600)	45.72 (1.800)	50.80 (2.000)	55.88 (2.200)	60.96 (2.400)	66.04 (2.600)	71.12 (2.800)	76.20 (3.000)

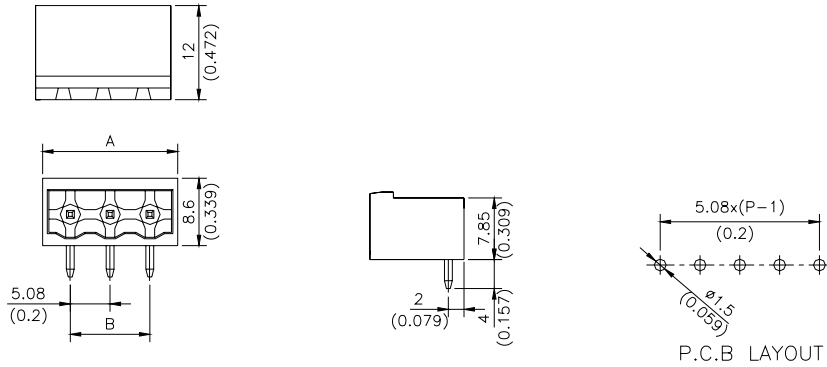
ETB43**1 SERIES DIMENSIONS UNIT:mm(inch)



DIMENSIONS: PITCH:5.08mm(0.2inch) UNIT:mm(inch)

POLE	2	3	4	5	6	7	8	9	10	11	12	13	14	15	16
$A \pm 0.8$	12.18 (0.48)	17.26 (0.68)	22.34 (0.88)	27.42 (1.08)	32.5 (1.28)	37.58 (1.48)	42.66 (1.68)	47.74 (1.88)	52.82 (2.08)	57.9 (2.28)	62.98 (2.48)	68.06 (2.68)	73.14 (2.88)	78.22 (3.08)	83.3 (3.28)
$B \pm 0.5$	5.08 (0.2)	10.16 (0.4)	15.24 (0.6)	20.32 (0.8)	25.4 (1.0)	30.48 (1.2)	35.56 (1.4)	40.64 (1.6)	45.72 (1.8)	50.8 (2.0)	55.88 (2.2)	60.96 (2.4)	66.04 (2.6)	71.12 (2.8)	76.2 (3.0)

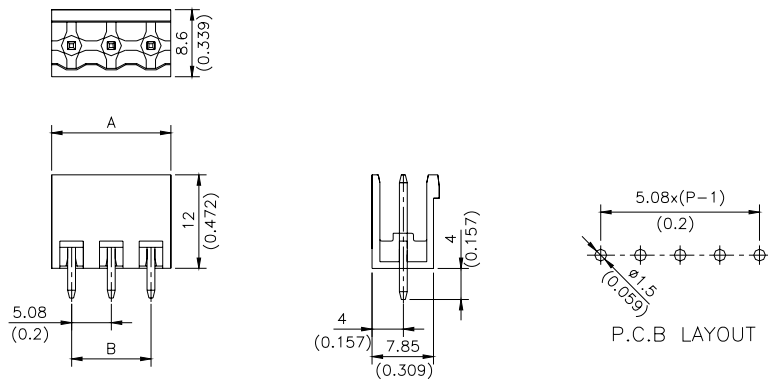
ETB43**2 SERIES DIMENSIONS UNIT:mm(inch)



DIMENSIONS: PITCH:5.08mm(0.2inch) UNIT:mm(inch)

POLE	2	3	4	5	6	7	8	9	10	11	12	13	14	15	16
A±0.8	12.18 (0.48)	17.26 (0.68)	22.34 (0.68)	27.42 (1.08)	32.5 (1.28)	37.58 (1.48)	42.66 (1.68)	47.74 (1.88)	52.82 (2.08)	57.9 (2.28)	62.98 (2.48)	68.06 (2.68)	73.14 (2.88)	78.22 (3.08)	83.3 (3.28)
B±0.5	5.08 (0.2)	10.16 (0.4)	15.24 (0.6)	20.32 (0.8)	25.4 (1.0)	30.48 (1.2)	35.56 (1.4)	40.64 (1.6)	45.72 (1.8)	50.8 (2.0)	55.88 (2.2)	60.96 (2.4)	66.04 (2.6)	71.12 (2.8)	76.2 (3.0)

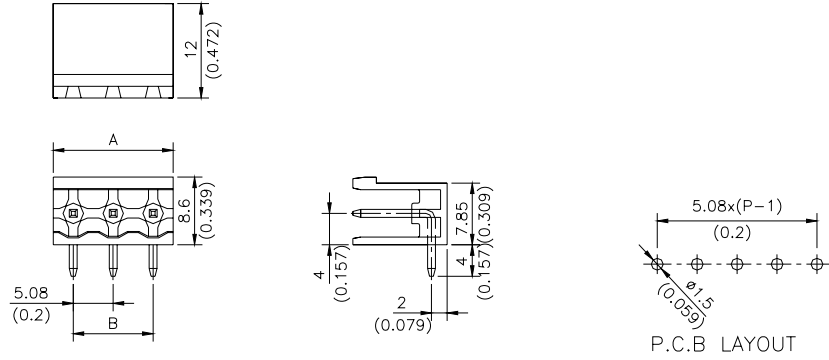
ETB43**3 SERIES DIMENSIONS UNIT:mm(inch)



DIMENSIONS: PITCH:5.08mm(0.2inch) UNIT:mm(inch)

POLE	2	3	4	5	6	7	8	9	10	11	12	13	14	15	16
A±0.8	10.16 (0.4)	15.24 (0.6)	20.32 (0.8)	25.4 (1.0)	30.48 (1.2)	35.56 (1.4)	40.64 (1.6)	45.72 (1.8)	50.8 (2.0)	55.88 (2.2)	60.96 (2.4)	66.04 (2.6)	71.12 (2.8)	76.2 (3.0)	81.28 (3.2)
B±0.5	5.08 (0.2)	10.16 (0.4)	15.24 (0.6)	20.32 (0.8)	25.4 (1.0)	30.48 (1.2)	35.56 (1.4)	40.64 (1.6)	45.72 (1.8)	50.8 (2.0)	55.88 (2.2)	60.96 (2.4)	66.04 (2.6)	71.12 (2.8)	76.2 (3.0)

ETB43**4 SERIES DIMENSIONS UNIT:mm(inch)



DIMENSIONS: PITCH:5.08mm(0.2inch) UNIT:mm(inch)

POLE	2	3	4	5	6	7	8	9	10	11	12	13	14	15	16
A±0.8	10.16 (0.4)	15.24 (0.6)	20.32 (0.8)	25.4 (1.0)	30.48 (1.2)	35.56 (1.4)	40.64 (1.6)	45.72 (1.8)	50.8 (2.0)	55.88 (2.2)	60.96 (2.4)	66.04 (2.6)	71.12 (2.8)	76.2 (3.0)	81.28 (3.2)
B±0.5	5.08 (0.2)	10.16 (0.4)	15.24 (0.6)	20.32 (0.8)	25.4 (1.0)	30.48 (1.2)	35.56 (1.4)	40.64 (1.6)	45.72 (1.8)	50.8 (2.0)	55.88 (2.2)	60.96 (2.4)	66.04 (2.6)	71.12 (2.8)	76.2 (3.0)