

Primary Lithium Battery

ER18505+UPC1520

Benefits

- High and Stable Voltage
- Energy Density up to 590Wh/kg
- Long Shelf Life
- Wide Operating Temperature (-40°C~+85°C)

Key Features

- Stainless Steel Container
- Glass to Metal Hermetic Sealing
- Non-flammable Electrolyte
- CE, UL(MH10060) and UN38.3 Certified

Main Applications

- Security System
- Smart Metering
- RFID / IoT System
- Wireless Transmitting
- Smart Home Devices
- Military Devices

Electrical Characteristics

Open circuit voltage (at 25°C) **≥3.65V**

Nominal capacity **4000mAh**

(At +25°C, battery discharged at continuous current 2mA until voltage reaches cut-off voltage 2.0V. The capacity can vary at different temperature, discharge current or cut-off voltage.)

Maximum continuous current **130mA**

(New cell*, at +25°C, 2.0V cut-off, battery discharged for minimum 50% of nominal capacity.)

Maximum pulse discharge current **2000mA**

(Max current with duration of 1 second. The readings may vary according to the pulse characteristics, the temperature, and the's previous history. Fitting the cell with a capacitor may be recommended in severe conditions. Consult HCB.)

Storage (recommended) **≤30°C**
≤75%RH

(For more severe conditions, consult HCB)

Operating temperature range **-40°C~+85°C**

(Operation above ambient temperature may lead to reduced capacity and lower voltage readings at the beginning of pulses. Consult HCB.)

New cell:*

Refer to the cells that are stored within two months at no higher than +25°C.

HCB BATTERY CO., LTD

Add: Special No 1. Taizhong Avenue, Gaoqiao Industrial Park, Wujiashan Economic Development Zone, Wuhan, P.R.China

P.O.: 430040

Tel: +86(0)27 83248452

Fax: +86(0)27 83248455

Email: haocheng@cnhcb.com

Web: www.cnhcb.com

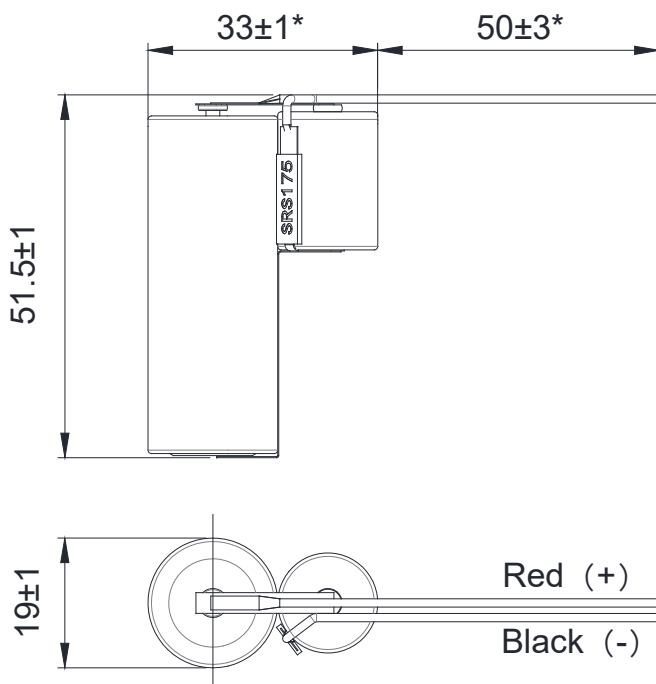
No.: HCB-MKT.PM-S[V1.0 2017 02]

Primary Lithium Battery ER18505+UPC1520

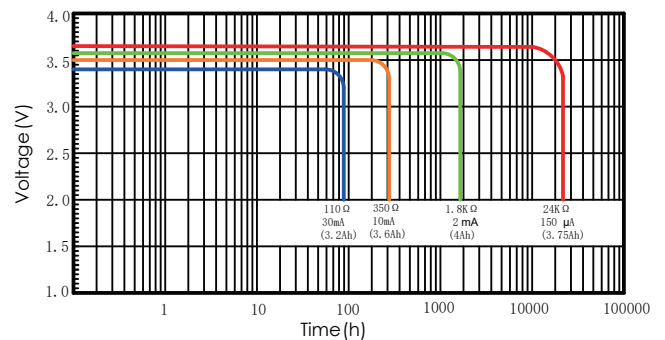


Physical Characteristics

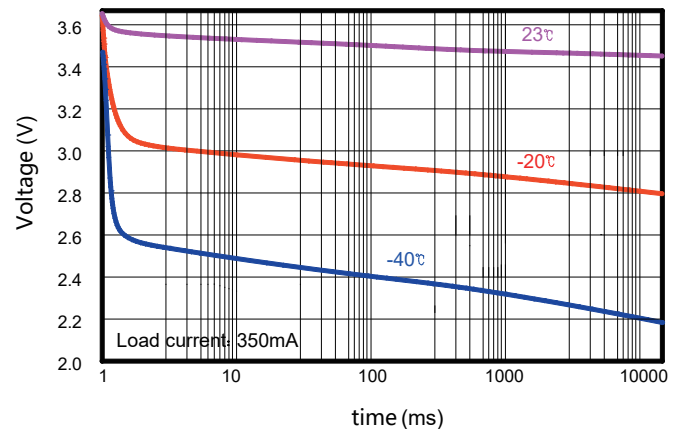
Typical weight	48.0g
Lithium metal content	1.15g



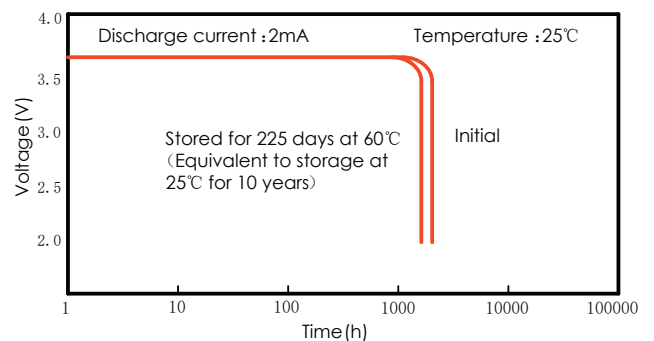
1. Typical discharge profiles at 25°C
(at the mid-discharge)



2. UPC1520 350mA Discharge Curve



3. Storage characteristics



WARNING:

- Do not short circuit
- Do not recharge
- Do not puncture
- Do not crush
- Do not dismantle
- Do not incinerate
- Do not mix new and used batteries
- Do not heat above 100°C

HCB BATTERY CO., LTD

Add: Special No 1. Taizhong Avenue, Gaoqiao Industrial Park, Wujiashan Economic Development Zone, Wuhan, P.R.China

P.O.: 430040

Tel: +86 (0) 27 83248452

Fax: +86 (0) 27 83248455

Email: haocheng@cnhcb.com

Web: www.cnhcb.com

Version No.: HCB-MKT. PM-S[V1.0 2017 02]vzvzv