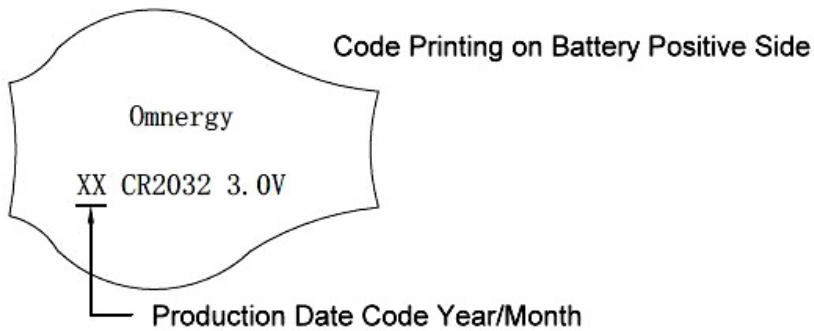
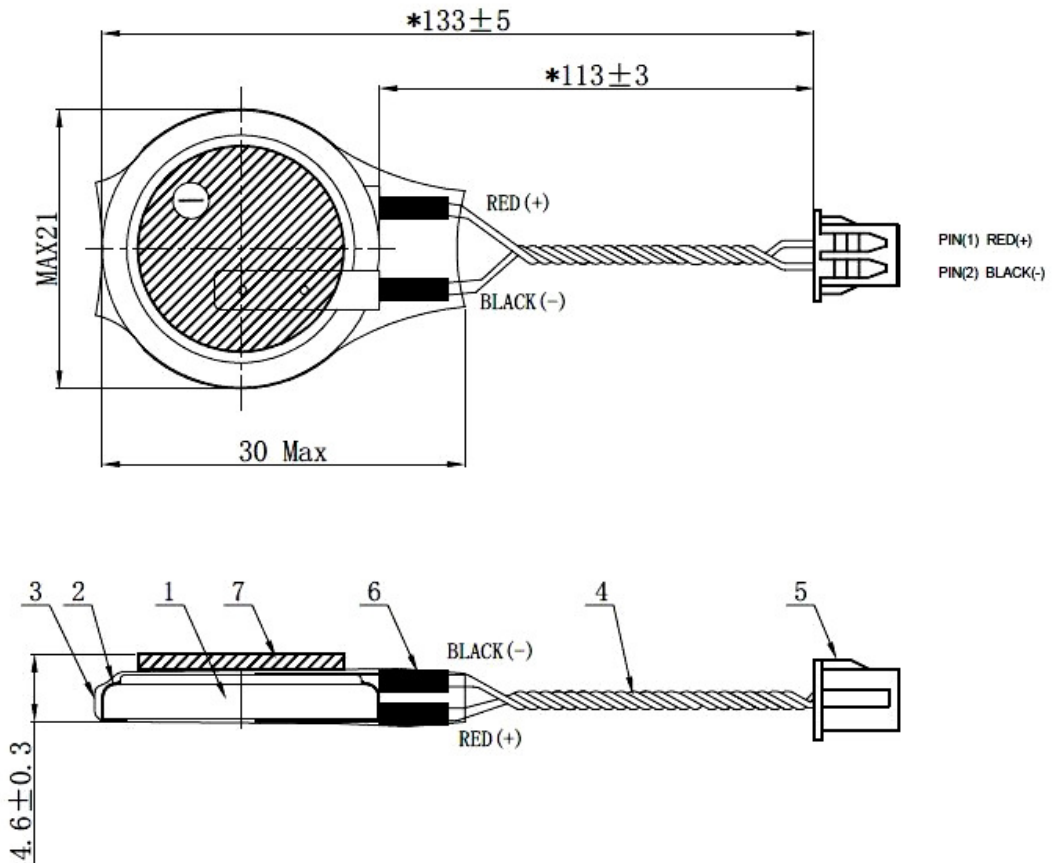


# CR2032-PGB113 Configuration Diagram

Unit : mm



## Remark:

1. Battery CR2032
2. Inner Yellow PET Insulator
3. Outer Yellow PET Insulator
4. UL1571#AWG28 Red and Black Twisted Wires
5. Molex 51021 Connector Compitable
6. PE Tube
7. 3M 9448HKB+ Adhesive Foam Pad

Dimension Range	0.5 to 3	>3~6	>6~30	>30~120	>120
Tolerance	$\pm 0.2$	$\pm 0.3$	$\pm 0.5$	$\pm 0.8$	$\pm 1.2$