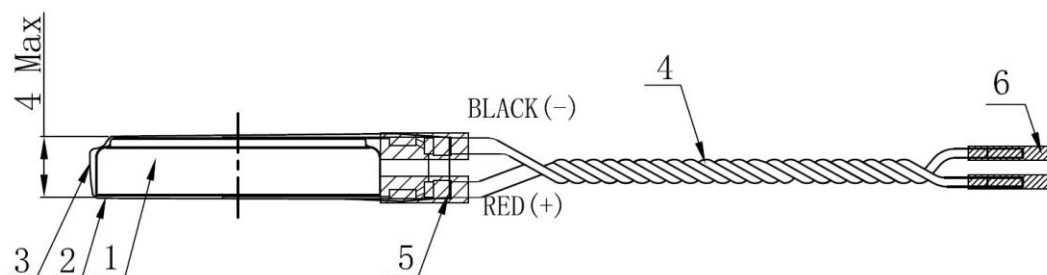
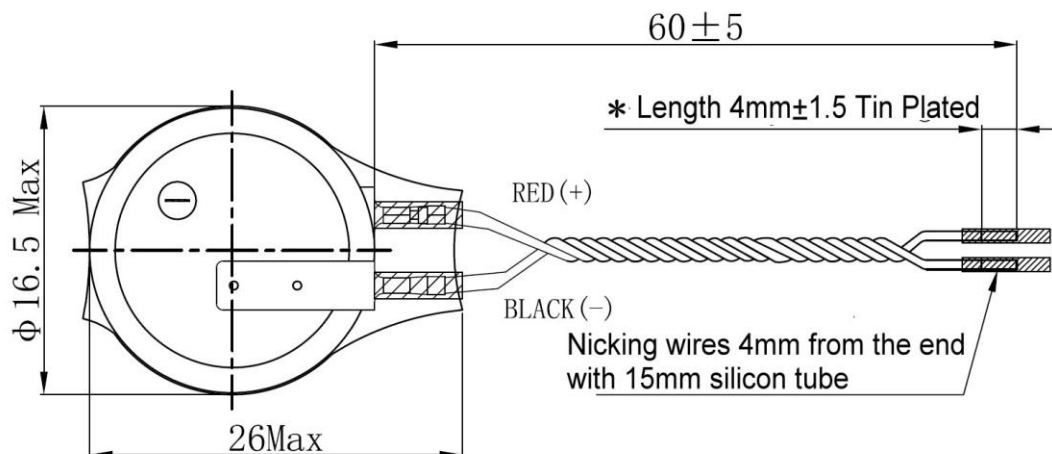


# CR1632-PGB60-2 Configuration Diagram

Unit : mm



## Remark:

1. Battery CR1632
2. Inner Yellow PET Insulator
3. Outer Yellow PET Insulator
4. Red and Black Twisted Wires UL1571 / 26AWG
5. 8mm PE Tube
6. 15mm Silicon Tube

Dimension Range	0.5 to 3	>3~6	>6~30	>30~120	>120
Tolerance	$\pm 0.2$	$\pm 0.3$	$\pm 0.5$	$\pm 0.8$	$\pm 1.2$