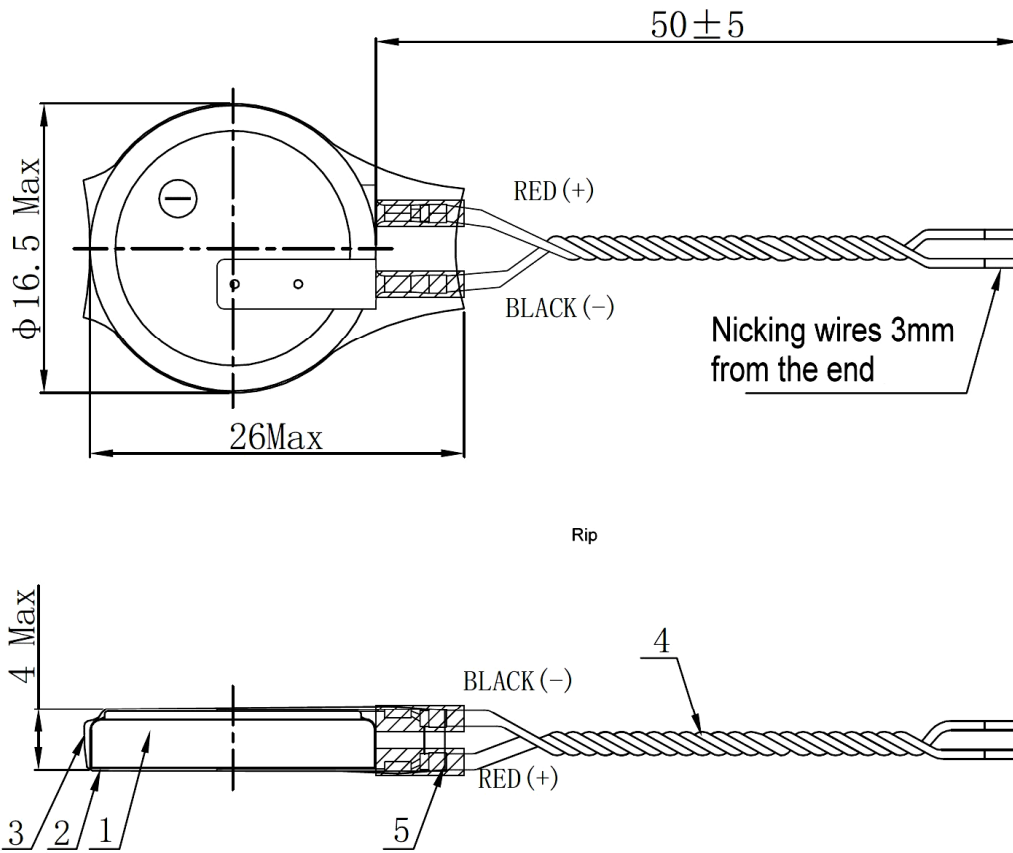


CR1632-PGB50 Configuration Diagram

Unit : mm



Remark:

1. Battery CR1632
2. Inner Yellow PET Insulator
3. Outer Yellow PET Insulator
4. Red and Black Twisted Wires UL1571 / 26AWG
5. PE Tube

Dimension Range	0.5 to 3	>3~6	>6~30	>30~120	>120
Tolerance	± 0.2	± 0.3	± 0.5	± 0.8	± 1.2