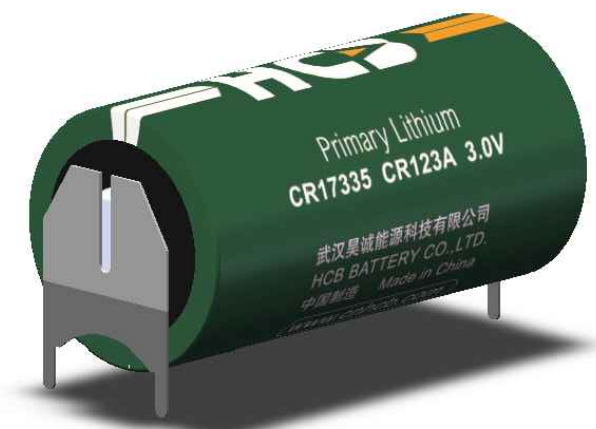
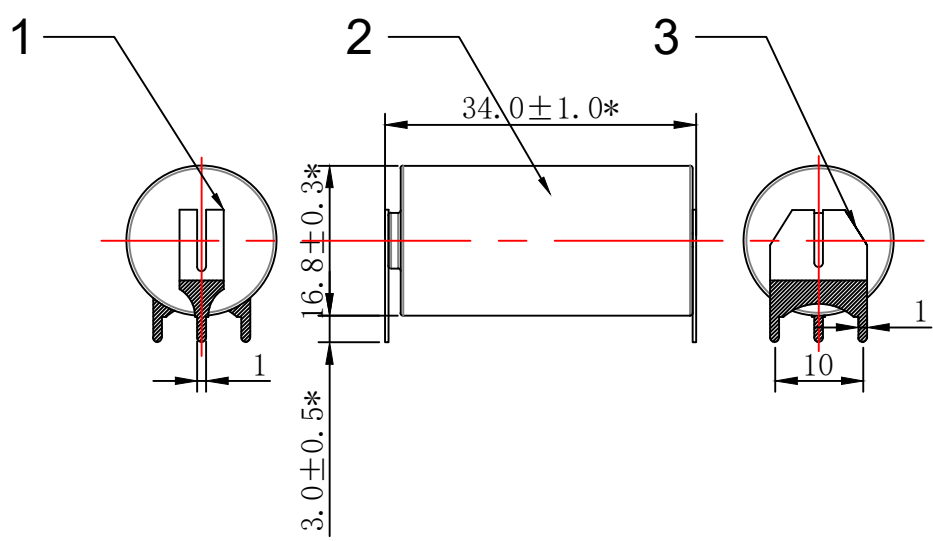


HCB-JS-TZ-01-022



Remark:
 1.Cell:3.0V 1600mAh, with date code and Pin.
 2.RoHS Compliant.

3	Pin:HC02			1
2	Cell:CR123A			1
1	Pin:HC01			1
No.	Description			QTY.
Model:	CR123A	Drawn:	Cheng Wang	Projection:
Draw Date:	01/12/2022	Checked:	Pianpian Huang	Page: 1/1
Revise No.:	A0-2022	Approved:	Jing Zhou	Unit: mm
		HCB BATTERY CO.,LTD		