

Specification for approval

Description(产品类型):	Seal transformer
Customer p/n(客户):	
ZETTLER p/n(赛特勒):	BV302S12020
Revision(版本号):	A1
Page(页数):	3

Drafted(制作): Lin huanping

Checked(审核):Chen chaolu

Approved(确认):He Zongnian



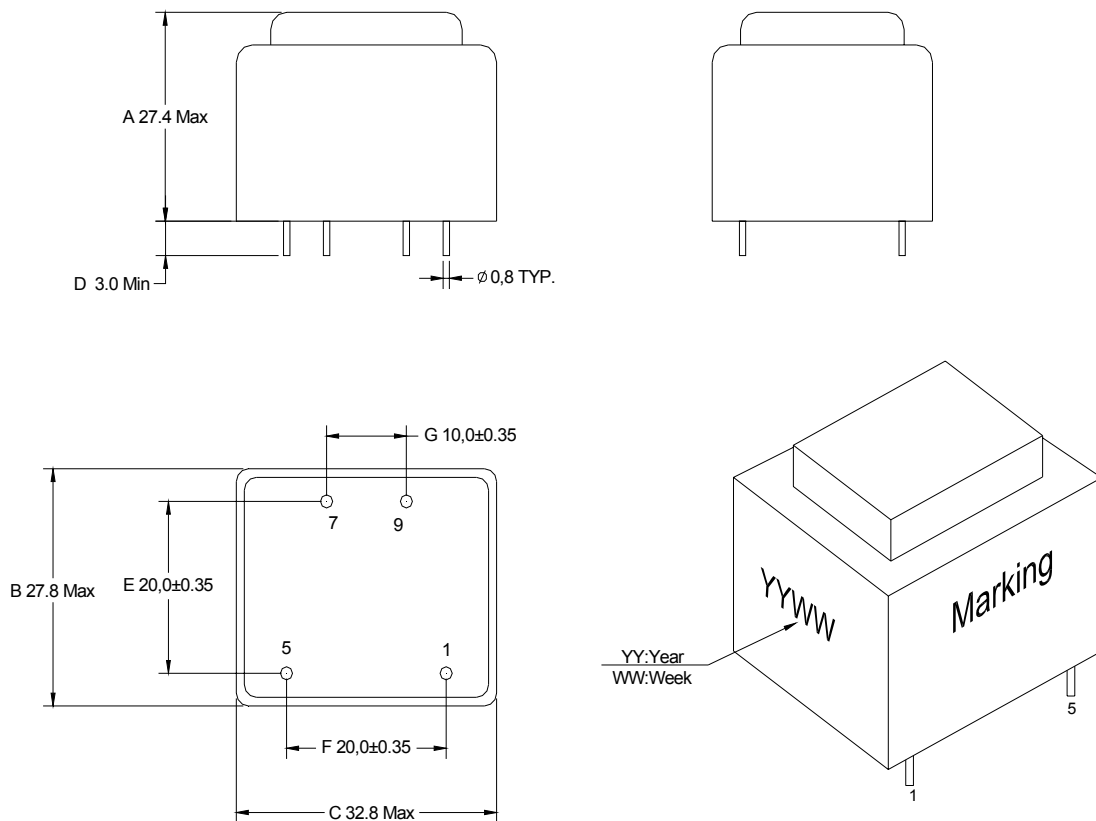
A1	2013/8/2	Certification updates update labels	
Rev.	Date	Description	Approved

Approved by Customer (客户确认) : _____

Friendly Reminder: Please help to sign this Spec when approve , and fax to our company .Or else, we will consider you have accepted it and make future order based on this Spec.

友情提示:请在签字确认后,按封面的传真号码回传给赛特勒磁电有限公司.如无回传,则视为默认,后续的相关订单将以按本承认书的规定为技术要求.

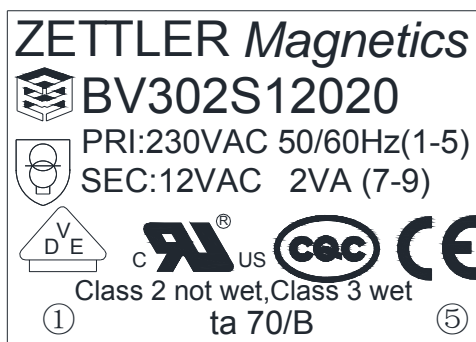
1. OUTLINE DRAWING(外形图):UNIT(单位): mm



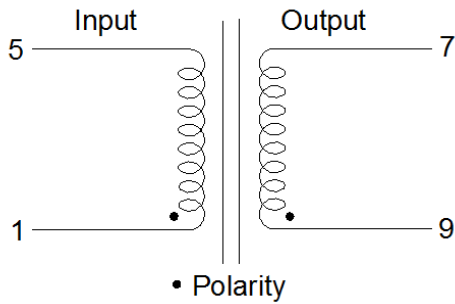
Notes(注) :

- ◆ PCB drill hole is recommended to be 1.3mm; (建议 PCB 开孔孔径为 1.3mm)
- ◆ If PIN layout and footprint have slightly deviation, please refer to actual PCB assembly ,the ones can be normally inserted into PCB is qualified . (PIN 距、排距尺寸测量有偏差时,以 PCB 下板实装确认,可正常下板为合格)
- ◆ The Pin length doesn't include the solder tip (PIN 脚长度不包括锡尖)

2、Label(标签图)



3、SCHEMATIC(原理图):



4、ELECTRICAL SPECIFICATION(电气特性测试):

TEST TEMPERATURE(测试温度)@25±2℃:

ITEM 项目	TERMIANL 端子	规格值 SPECIFICATION	测试条件 TEST CONDITION
EXCITATION CURRENT 空载电流(mA)	1--5	11.0 Max	输入: 230V 50Hz
LOSS POWER 空载损耗 (W)	1--5	0.8 Max	
RATED LOAD VOLTAGE 负载电压(V)	7--9	12.5±10% @ 167mA	(输入: 230V 50Hz)
NO LOAD VOLTAGE 空载电压(V)	7--9	20.7 Max	
INSULATION RESISTANCE 绝缘阻抗	P--S	100MΩ MIN	DC 500V/1min
HI-POT VOLTAGE 耐压	P--S	4200V	1mA/1S/50Hz

5、PRECAUTIONS FOR USE(产品使用注意事项):

Operating Temperature: -25℃ to 70℃

Storage Temperature: -25℃ to 85℃

Vacuum Filling

Inherently Short Circuits Proof

6、Special requirements(特殊要求):

UL 认证号/UL certification: E214561,E177998

VDE 认证号/VDE certification: 40022230

CQC 认证号/CQC certification: CQC09001030821