

# Specification for approval

<b>Description(产品类型):</b>	<b>Seal transformer</b>
<b>Customer p/n(客户):</b>	
<b>ZETTLER p/n(赛特勒):</b>	<b>BV302S12006</b>
<b>Revision(版本号):</b>	<b>A2</b>
<b>Page(页数):</b>	<b>3</b>

**Drafted(制作):**

**Checked(审核):**

**Approved(确认):**



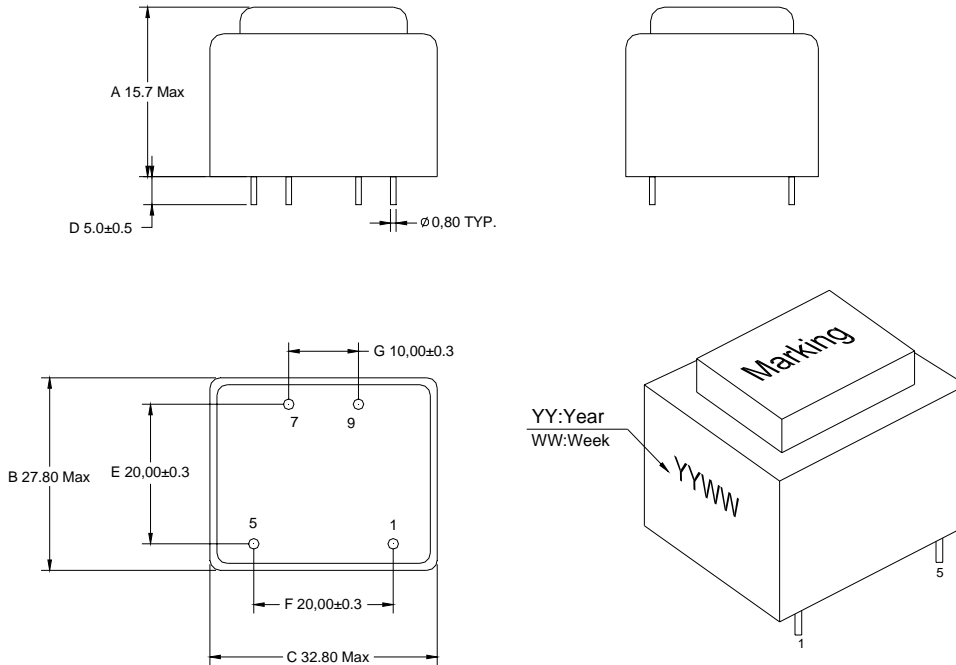
A2	2013/7/8	Label the upgrade	
A1	2010/12/6	Change the LOSS POWER from 2.0 Max to 1.9 Max	
Rev.	Date	Description	Changed

**Approved by Customer (客户确认) :** \_\_\_\_\_

Friendly Reminder: Please help to sign this Spec when approve , and fax to our company .Or else, we will consider you have accepted it and make future order based on this Spec.

友情提示:请在签字确认后,按封面的传真号码回传给赛特勒磁电有限公司.如无回传,则视为默认,后续的相关订单将以按本承认书的规定为技术要求.

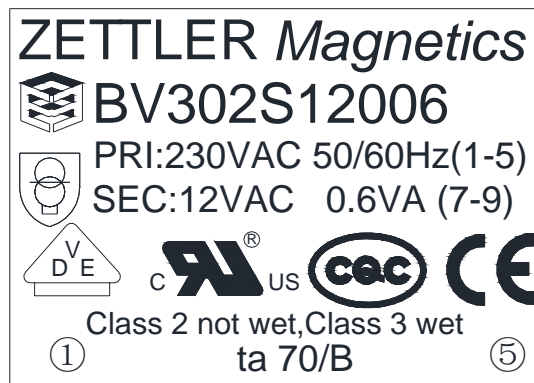
## 1. OUTLINE DRAWING(外形图):UNIT(单位): mm



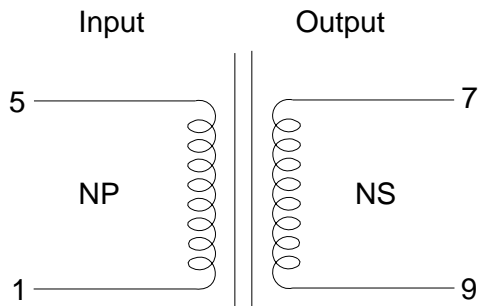
### Notes :

- ◆ PCB drill hole is recommended to be 1.3mm; (建议 PCB 开孔孔径为 1.3mm)
- ◆ If PIN layout and footprint have slightly deviation, please refer to actual PCB assembly, the ones can be normally inserted into PCB is qualified . (PIN 距、排距尺寸测量有偏差时,以 PCB 下板实装确认,可正常下板为合格)
- ◆The Pin length doesn't include the solder tip (PIN 脚长度不包括锡尖)

## 2、Label(标签图)



### 3、SCHEMATIC(原理图):



### 4、ELECTRICAL SPECIFICATION(电气特性测试):

TEST TEMPERATURE(测试温度)@25±2℃:

Item 项目	Terminal 端子	Specification 规格值	Test condition 测试条件
Excitation current 空载电流	1--5	16.0 Max	输入: 230V 50Hz
Loss power 空载损耗 (W)	1--5	1.9 Max	
Rated load voltage 负载电压(V)	7--9	12.5±8% @ 50mA	(输入: 230V 50Hz
No load voltage 空载电压(V)	7--9	20.5 Max	
Insulation resistance 绝缘阻抗	P--S	100MΩ MIN	DC500V /1min
HI-POT Voltage 耐压	P--S	4200V	1mA/1S/50Hz

### 5、NOTES FOR PRODUCT USE(产品使用注意事项):

Ambient temperature range(使用环境温度范围): -25~+70℃

Storage temperature range(保存温度范围): -25~+85℃