

HSF



NOTE:

1, Material:

- a. Housing: Glass Fibre UL94V-0
- b. Contact: White  
(Surface Plating: Sn 100u" )  
See Ordering Information

2, Electric:

- a. Contact Resistance: 30 Milliohms Max
- b. Insulation Resistance: 1000 MEGA OHMS Min
- c. Dielectric Voltage: 500V AC One Sea Level
- d. Operating Temperature: -55° To 105°

Order code:

BT — S — SN — R — CR2032L  
 ① — ② — ③ — ④ — ⑤

① BT: Coin Cell Holders

② Apperance for the product

M: SMT TYPE

S: 180 TYPE

R: 90 TYPE

③ Contact Plating  
SN: Tin

G0: Gold flash

G1: 3U" Gold

G2: 5U" Gold

G3: 10U" Gold

G4: 15U" Gold

G5: 30U" Gold

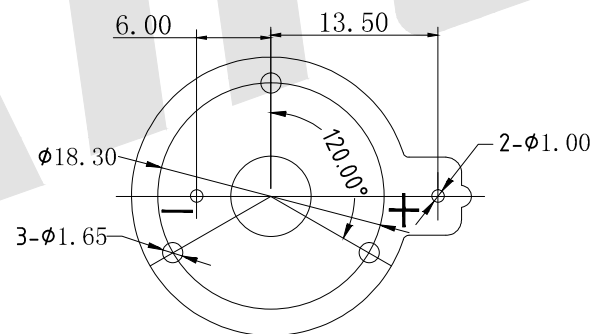
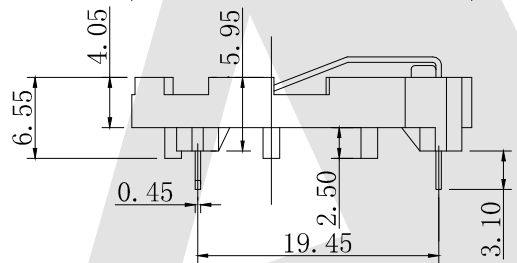
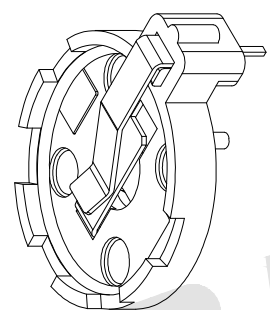
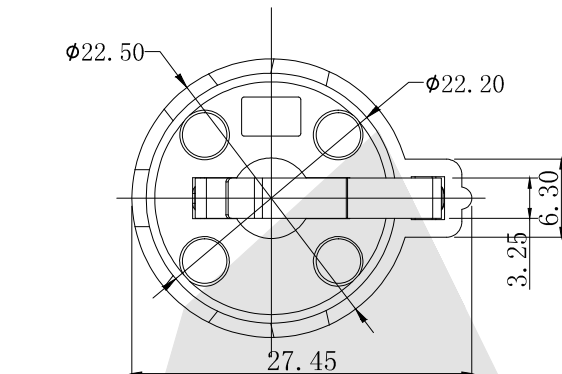
④ Packing method

A: Tray packing

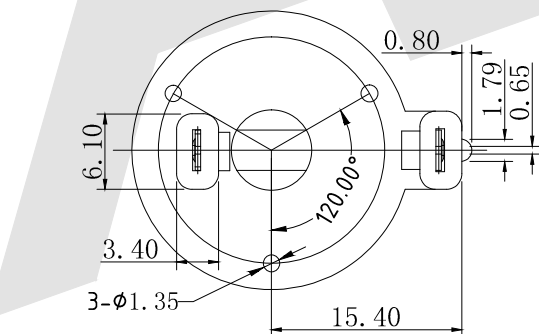
R: Tape & reel packing

⑤ Product number

CR2032L



PCB Layout Diagram  
Top View



Unless Otherwise specified tolerance  
 X. ±0.35 X.XX: ±0.20  
 X.X: ±0.25 X.XXX: ±0.15

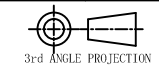
**Antenk**® ANTENK ELECTRONICS CO., LTD  
 Http://www.antenk.com  
 E-mail:sales@antenk.com

SCALE: As Shown UNIT: mm  
 DRAW Mo Guo Xuan DATE 03/15/2019  
 CHECK BobYang DATE 03/15/2019

TITLE: Coin Cell Holders For CR2032

DRAWING NO: BT-S-SN-R-CR2032L

PRODUCT NO: BT-S-SN-R-CR2032L



REV	DESCRIPTION	DATE