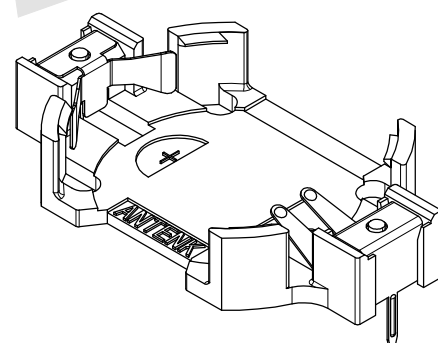
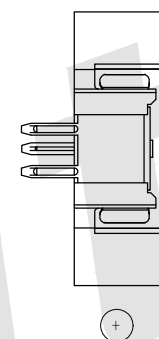
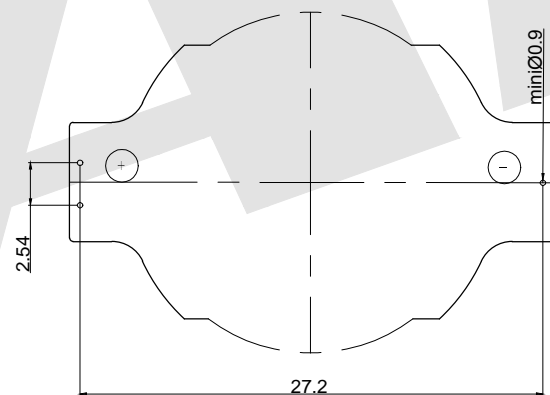
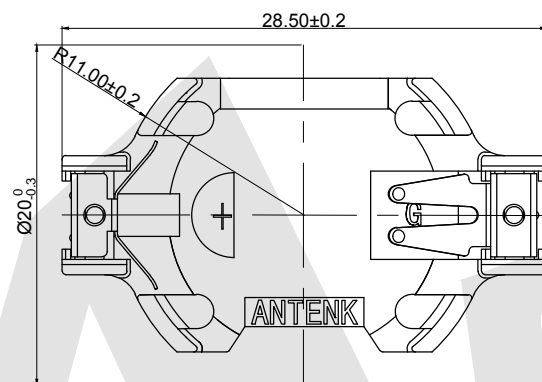
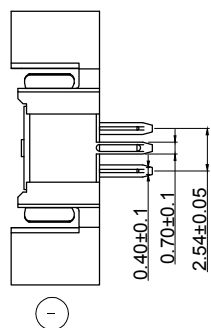
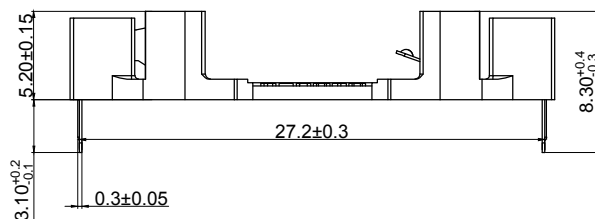


HSF



RoHS



NOTE:

1, Material:
 a. Housing: Glass Fibre UL94V-0
 b. Contact: White
 (Surface Plating: Sn 100u")
 See Ordering Information

2, Electric:
 a. Contact Resistance: 30 Milliohms Max
 b. Insulation Resistance: 1000 MEGA OHMS Min
 c. Dielectric Voltage: 500V AC One Sea Level
 d. Operating Temperature: -55° To 105°

Order code:

BT - S - SN - R - CR2032H
 ① ② ③ ④ ⑤

- ① BT: Coin Cell Holders
- ② Appearance for the product
M: SMT TYPE
S: 180 TYPE
R: 90 TYPE
- ③ Contact Plating
SN: Tin
G0: Gold flash
G1: 3U" Gold
G2: 5U" Gold
G3: 10U" Gold
G4: 15U" Gold
G5: 30U" Gold
- ④ Packing method
A: Tray packing
R: Tape & reel packing
- ⑤ Product number
CR2032H

PCB Layout Diagram
 Top View

Unless Otherwise specified tolerance	
X. ±0.35	X.XX: ±0.20
X.X: ±0.25	X.XXX: ±0.15
SCALE: Qudingping	UNIT: mm
DRAW Qudingping	DATE 18/02/2020
CHECK BobYang	DATE 18/02/2020
 3rd ANGLE PROJECTION	

		ANTENK ELECTRONICS CO., LTD Http://www.antenk.com E-mail: sales@antenk.com
TITLE: Coin Cell Holders For CR2032		
DRAWING NO:	BT-S-SN-R-CR2032H	
PRODUCT NO:	BT-S-SN-R-CR2032H	

REV	DIP CHANGE 3.5 TO 3.1MM			30/07/2020
	DESCRIPTION		DATE	