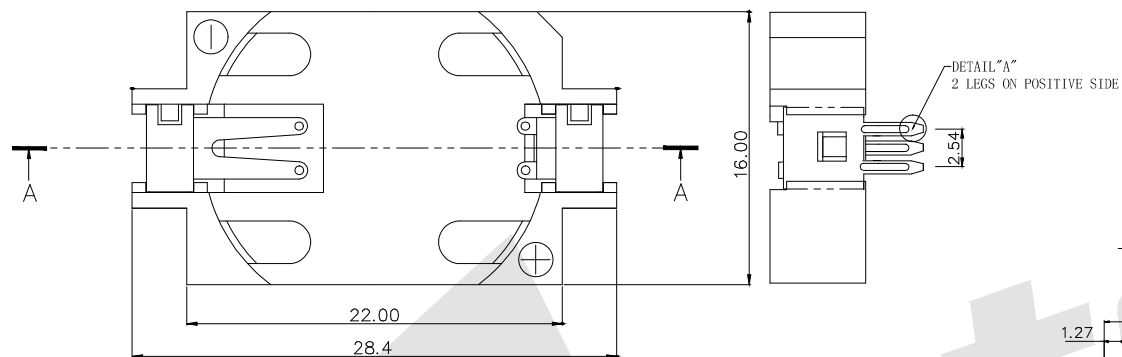


HSF



ROHS

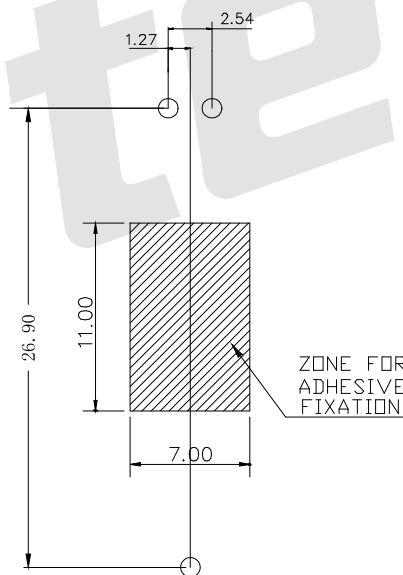
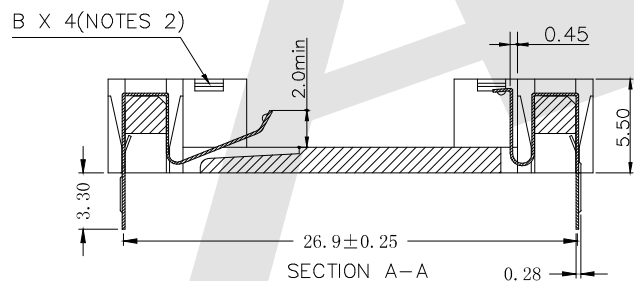


Notes
 Materials:
 Housing:LCP 30%GF UL94V-0
 Contact:Phosphor Bronze C5191R-H.

Order code:

BT - S - SN - R - CR2032A
 ① ② ③ ④ ⑤

- ① BT: Coin Cell Holders
- ② Appearance For The Product
 M:SMT TYPE
 S:180 TYPE
 R:90 TYPE
- ③ Contact Plating
 SN: Tin
 G0: Gold Flash
 G1: 3U" Gold
 G2: 5U" Gold
 G3: 10U" Gold
 G4: 15U" Gold
 G5: 30U" Gold
- ④ Packing Method
 A: Tray packing
 R: Tape & Reel Packing
- ⑤ Product Number
 CR2032A



PCB LAYOUT

Unless Otherwise specified tolerance
 X. ±0.35 X.XX: ±0.20
 X.X: ±0.25 X.XXX: ±0.15

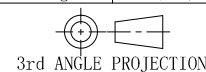
Antenk® ANTENK ELECTRONICS CO., LTD
 Http://www.antenk.com
 E-mail:sales@antenk.com

SCALE: As Shown UNIT: mm
 DRAW Jack Bao DATE 01/13/2019
 CHECK BobYang DATE 01/13/2019

TITLE:
 Coin Cell Holders For CR2032

DRAWING NO: BT-S-SN-R-CR2032A

PRODUCT NO: BT-S-SN-R-CR2032A



⚠ Update Size
 DESCRIPTION

04/28/2021

DATE

REV