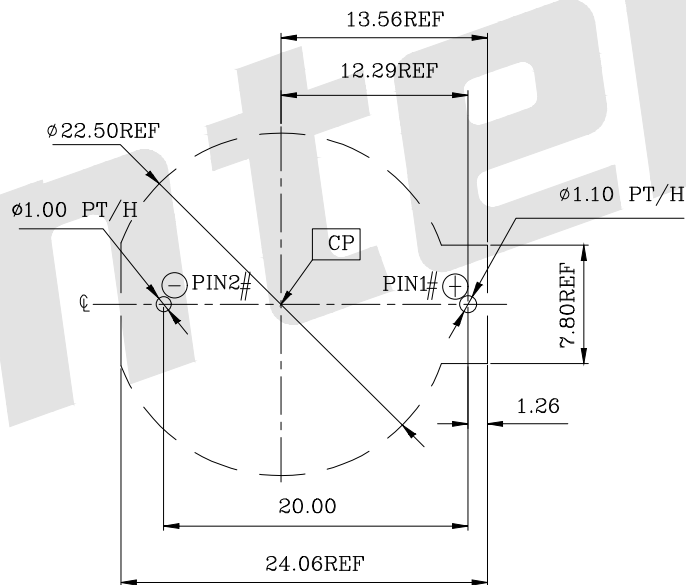
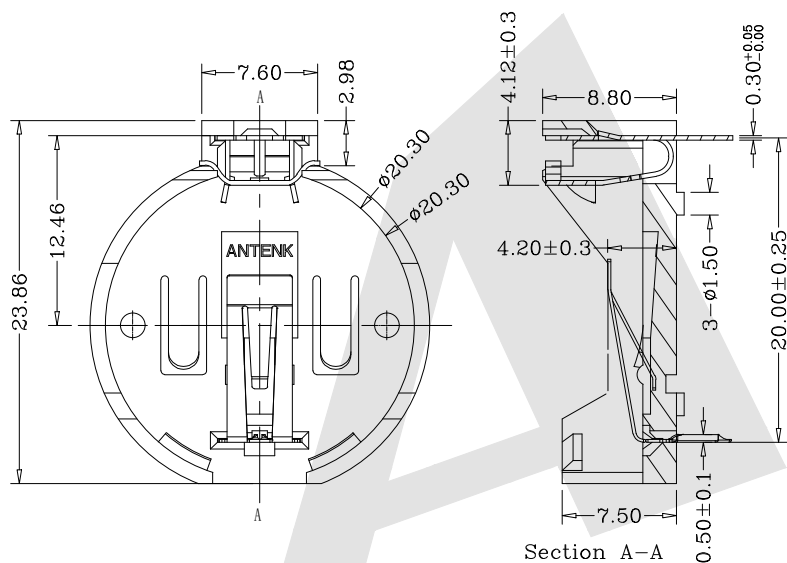
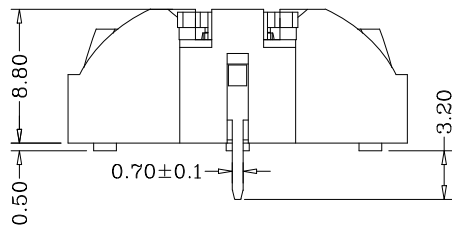
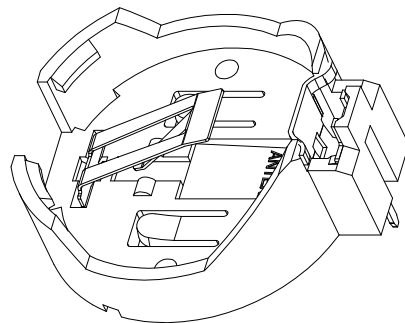


HSF



RoHS



RECOMMENDED PCB LAYOUT(TOP VIEW)

(PCB THICKNESS:T= 1.60mm)(TOLERANCE:±0.05 )

NOTES:

- 1、BASE:  
MATERIAL:PA66+30%G.F(UL94V-0) BLACK
- 2、CONTACT:  
MATERIAL:POSITIVE POLE T=0.30 THK BRASS C2680,  
NEGATIVE POLE T=0.2 THK BRASS C2680;  
FINISH:Weldable nickel plated 50u.
3. ELECTRIC:
  - a. CONTACT RESISTANCE:30 MILLIOHMS MAX
  - b. INSULATION RESISTANCE:1000 MEGA OHMS MIN
  - c. DIELECTNIC VOLTAGE:500V AC ONE SEC LEVEL
  - d. OPERATING TEMPERATURE:-25° C TO +85° C

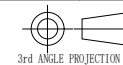
Ordering code:

BT - S - SN - B - A - 029  
① ② ③ ④ ⑤ ⑥

- ① BT: Coin Cell Holders
- ② Apperance for the product  
S:180 TYPE
- ③ Contact Plating  
SN: Tin  
G0: Gold flash  
G1: 3U" Gold  
G2: 5U" Gold  
G3: 10U" Gold  
G4: 15U" Gold  
G5: 30U" Gold
- ④ Have/No Post  
A: With Post  
B: Without Post
- ⑤ Packing method  
A: Tray B: Bag  
R: Tape & reel
- ⑥ Product number  
029

Unless Otherwise specified tolerance  
X. ±0.35 X.XX: ±0.20  
X.X: ±0.25 X.XXX: ±0.15

SCALE: As Shown UNIT: mm  
DRAW ZLA DATE 21/02/2022  
CHECK BobYang DATE 21/02/2022



**Antenk** ANTEK ELECTRONICS CO.,LTD  
Http://www.antenk.com  
E-mail:sales@antenk.com

TITLE:  
Coin Cell Holders For CR2032 THM

DRAWING NO: BT-S-SN-B-A-029

PRODUCT NO: BT-S-SN-B-A-029

REV	DESCRIPTION	DATE
1		
2		
3		
4		
5		