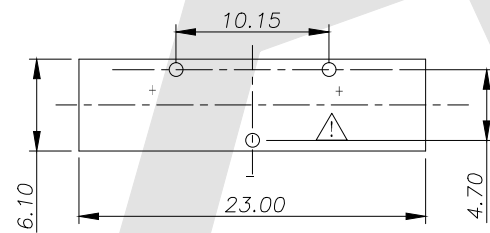
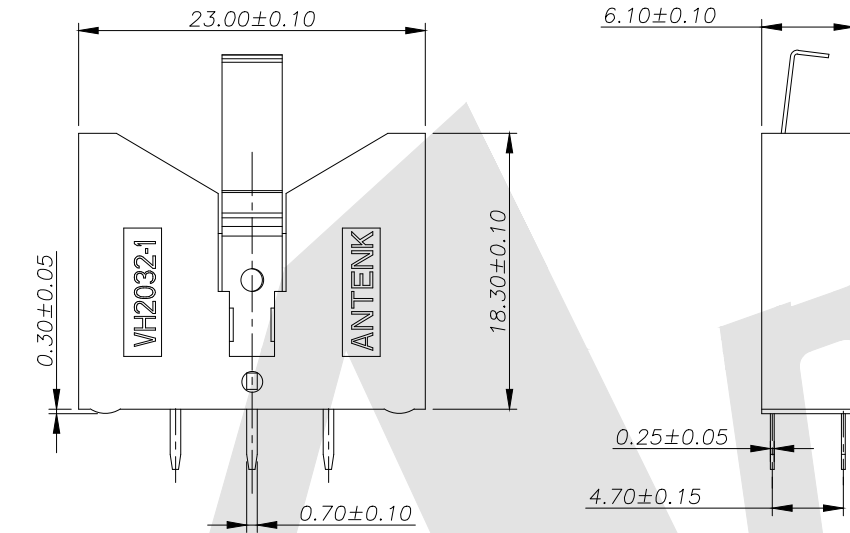
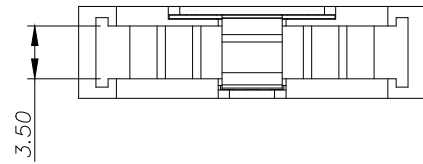


HSF



RoHS



PCB LAYOUT (TOP VIEW)



NOTES:

1. Housing: PA66+30%G.F, Colr:Black, UL94V-0
2. Contact: Spring Stainless Steel, T=0.25mm Plated Nickel Overall 5um Min;
3. Working Temp: -30° C to +70° C

Order code:

BT - S - SN - A - VH2032-1

- ① ② ③ ④ ⑤

- ① BT: Coin Cell Holders
- ② Apperance for the product  
R:90 TYPE
- ③ Contact Plating  
SN: Tin  
G0: Gold flash  
G1: 3U" Gold  
G2: 5U" Gold  
G3: 10U" Gold  
G4: 15U" Gold  
G5: 30U" Gold
- ④ Packing method  
A: Tray packing  
R: Tape & reel packing
- ⑤ Product number  
VH2032-1

Unless Otherwise specified tolerance  
X. ±0.38 X.XX: ±0.20  
X.X: ±0.25 X.XXX: ±0.10

SCALE: As Shown	UNIT: mm
DRAW Wu Feng Rong	DATE 11/17/2020
CHECK BobYang	DATE 11/17/2020



ANTENK ELECTRONICS CO., LTD  
Http://www.antenk.com  
E-mail:sales@antenk.com

	⚠ Update TITLE	08/12/2021
	⚠ Update NOTES	08/04/2021
	⚠ Add "+ -" Electrodes	07/27/2021
REV	DESCRIPTION	DATE

TITLE:	⚠ Coin Cell Holders For CR2032 Vertical DIP Type
DRAWING NO:	BT-S-SN-A-VH2032-1
PRODUCT NO:	BT-S-SN-A-VH2032-1