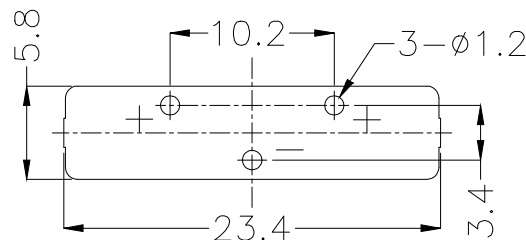
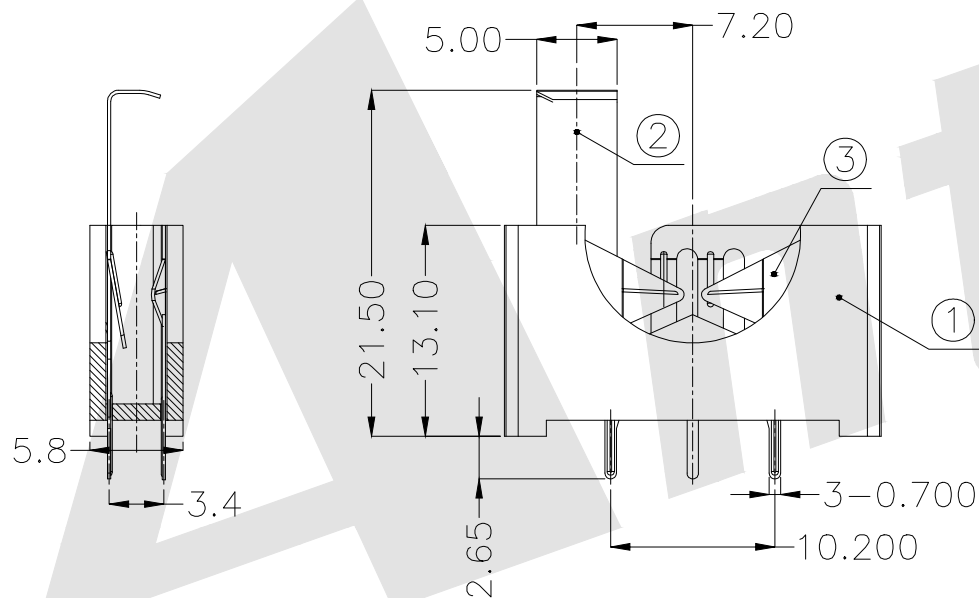
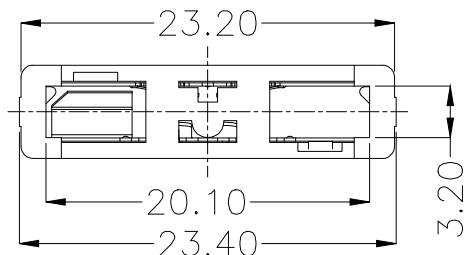


HSF



ROHS



PCB Layout Diagram  
Top View

Note:

1. Material:

- a. Housing:PBT
- b. Contact:C5191 Phosphor Bronze
- c. Surface Plating:Sn 100-120u"

2. Electric:

- a. Contact Resistance:30 Mlliohms Max.
- b. Insulation Resistance:1000 Mega Ohms Min.
- c. Dielectnic Voltage:500 V AC One Sec Level
- d. Operating Temperature:-25° To +85°

Order code:

BT - R - SN - A - CR2032R  
① ② ③ ④ ⑤

- ① BT: Coin Cell Holders
- ② Apperance for the product  
R:90 TYPE
- ③ Contact Plating  
SN:Tin  
G0:Gold flash  
G1: 3U" Gold  
G2: 5U" Gold  
G3:10U" Gold  
G4:15U" Gold  
G5:30U" Gold
- ④ Packing method  
A: Tray packing  
R: Tape & reel packing
- ⑤ Product number  
CR2032R

Unless Otherwise specified tolerance  
X. ±0.35 X.XX:±0.20  
X.X:±0.25 X.XXX:±0.15

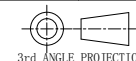
**Antenk**® ANTENK ELECTRONICS CO.,LTD  
Http://www.antenk.com  
E-mail:sales@antenk.com

SCALE: As Shown	UNIT: mm
DRAW Wu Feng Rong	DATE 07/03/2020
CHECK BobYang	DATE 07/03/2020

TITLE:  
Coin Cell Holders For CR2032 DIP 90° Type 3PINS

DRAWING NO: BT-S-SN-A-CR2032R

PRODUCT NO: BT-S-SN-A-CR2032R



REV	DESCRIPTION	DATE