

HSF



NOTES:

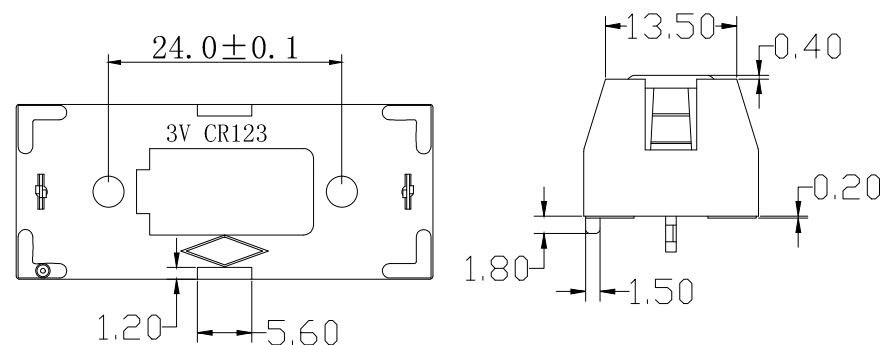
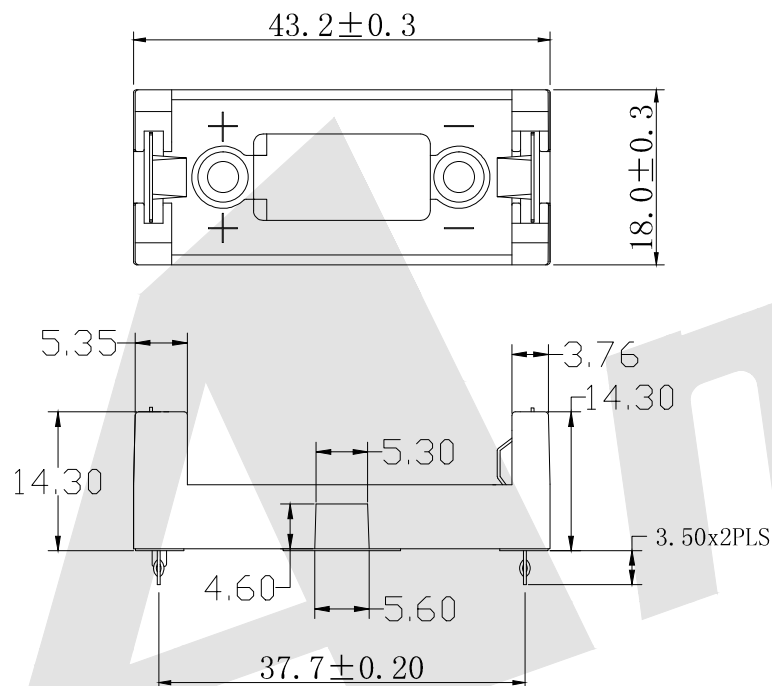
- 1, BASE:
MAT'L:HEAT RESISTANCE NYLON UL 94V-0
- 2, CONTACT:
MAT'L:0.3mm TH'K SPRING STEEL
FINISH:TIN NICKEL PALTE

Order code:

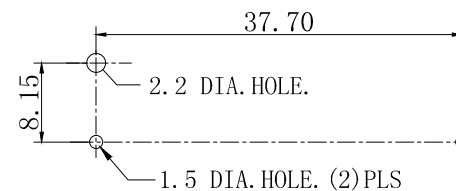
BT — S — SI — R — CR123A-B

① ② ③ ④ ⑤

- ① BT: Coin Cell Holders
- ② Apperance for the product
M:SMT TYPE
S:180 TYPE
R:90 TYPE
- ③ Contact Plating
SI: NICKEL Plated
SN: Tin
G0: Gold flash
G1: 3U" Gold
G2: 5U" Gold
G3: 10U" Gold
G4: 15U" Gold
G5: 30U" Gold
- ④ Packing method
A: Tray packing
R: Tape & reel packing
- ⑤ Product number
CR123A-B



MOUNTING PAD & HOLE DETAIL



Unless Otherwise specified tolerance
X. ±0.35 X.XX: ±0.20
X.X: ±0.25 X.XXX: ±0.15

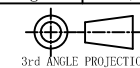
Antenk® ANTENK ELECTRONICS CO., LTD
Http://www.antenk.com
E-mail:sales@antenk.com

SCALE: As Shown UNIT: mm
DRAW Jack Bao DATE 01/13/2019
CHECK BobYang DATE 01/13/2019

TITLE: Coin Cell Holders For CR123A

DRAWING NO: BT-S-SI-R-CR123A-B

PRODUCT NO: BT-S-SI-R-CR123A-B



REV	DESCRIPTION	DATE
1		
2		
3		
4		
5		