



NOTE 说明:

1, Material材料:

a. Housing胶芯:LCP

b. Contact端子:C5191

(Surface Plating表面电镀:Sn锡 10u")

See Ordering Information 见订单信息

2, Electric电气性能:

a. Contact Resistance接触电阻:30 Milliohms Max 最大

b. Insulation Resistance绝缘电阻:1000 MEGA OHMS Min最小

c. Dielectric Voltage耐电压:500V AC交流

d. Operating Temperature工作温度: -55° To 105°

3. The dimension marked with "*" is key dimensions

带 "*" 尺寸为重点尺寸。

Order code:

BT - M - SN - R - CR2032N

① ② ③ ④ ⑤

① BT: Coin Cell Holders纽扣电池座 ③ Contact Plating 端子电镀

② Appearance for the product 连接形式

M: SMT TYPE

SN: Tin锡

G0: Gold flash 普金

G1: 3U" Gold 金

G2: 5U" Gold 金

G3: 10U" Gold 金

G4: 15U" Gold 金

G5: 30U" Gold 金

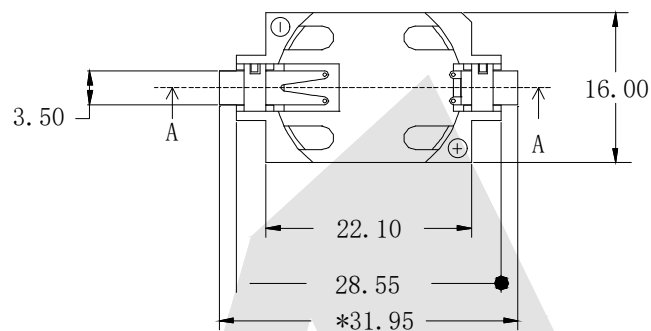
④ Packing method 包装方式

A: Tray packing 吸塑盒装

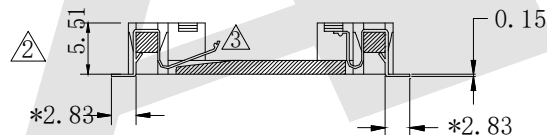
R: Tape & reel packing 卷装

⑤ Product number 产品编号

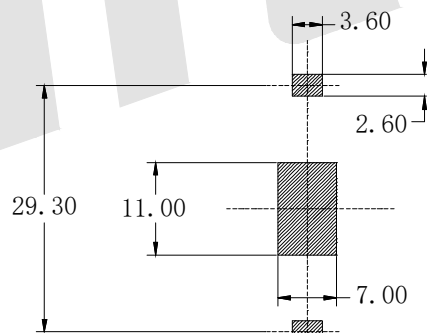
CR2032N



B*4 (NOTES 2)



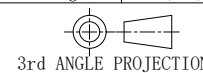
SECTION A-A



PCB LAYOUT

Unless Otherwise specified tolerance
X. ±0.35 X.XX: ±0.20
X.X: ±0.25 X.XXX: ±0.15

SCALE: As Shown UNIT: mm
DRAW Mo Guo Xuan DATE 03/14/2019
CHECK BobYang DATE 03/14/2019



Antenk® ANTENK ELECTRONICS CO., LTD
Http://www.antenk.com
E-mail:sales@antenk.com

TITLE: Coin Cell Holders For CR2032
CR2032纽扣电池座

DRAWING NO: BT-M-SN-R-CR2032N

PRODUCT NO: BT-M-SN-R-CR2032N

③	Delete Dimension删除尺寸 3.0	11/07/2022
②	Add Size 增加尺寸:5.51MM	02/23/2021
	Change 修改 BT-M-G0-CR2032F to BT-M-G0-R-CR2032N	01/13/2019
REV	DESCRIPTION	DATE