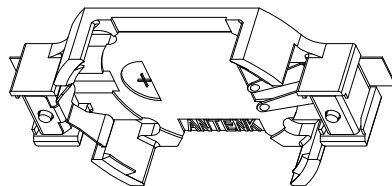
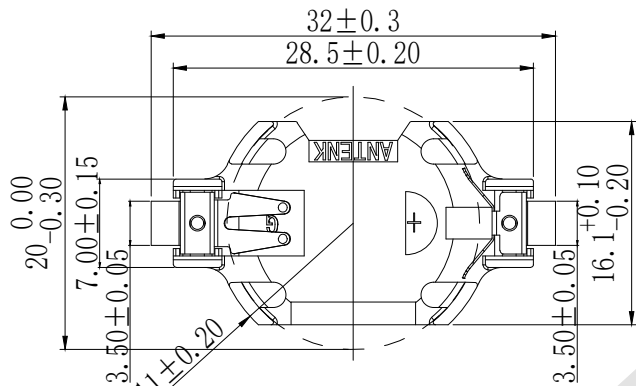


HSF



NOTES:

- 1. Housing:  
LCP+30%G. F, Colr:Nature, UL94V-0
- 2. Contact: Spring Stainless  
Steel, T=0.15mm  
Solder area: 200u" Tin Plated  
50u" Nickel Min
- Under-Overall;
- 3. Working Temp: -30° C to +70° C

Order code:

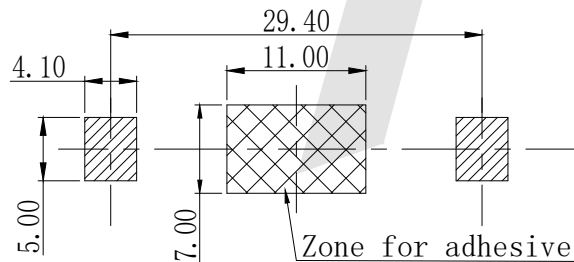
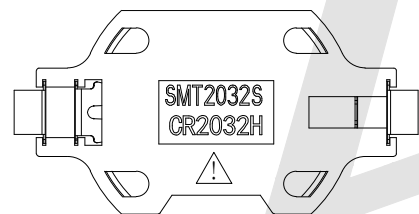
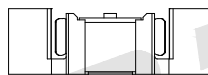
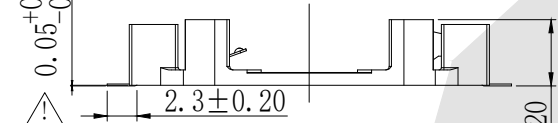
BT - M - SN - X - SMT2032S  
① ② ③ ④ ⑤

- ① BT:Coin Cell Holders
- ② Apperance for the product  
M:SMT TYPE

③ Contact Plating

- SN: Tin
- G0: Gold flash
- G1: 3U" Gold
- G2: 5U" Gold
- G3: 10U" Gold
- G4: 15U" Gold
- G5: 30U" Gold

- ④ Packing method  
A: Tray packing  
R: Tape & reel packing
- ⑤ Product number  
SMT2032S



Zone for adhesive fixation  
(as reference only)

PCB LAYOUT (TOP VIEW)

Unless Otherwise specified tolerance

X. ±0.38 X.XX: ±0.20  
X.X: ±0.25 X.XXX: ±0.10

SCALE: As Shown UNIT: mm

DRAW Jacky DATE 11/17/2020

CHECK BobYang DATE 11/17/2020



**Antenk**® ANTENK ELECTRONICS CO.,LTD  
Http://www.antenk.com  
E-mail:sales@antenk.com

TITLE: Coin Cell Holders Right Angle SMD For 2032

DRAWING NO: BT-M-SN-A-SMT2032S

PRODUCT NO: BT-M-SN-A-SMT2032S

|                   |            |
|-------------------|------------|
| Update Remarks    | 08/05/2021 |
| Update Flatness   | 07/07/2021 |
| Change DIP TO SMD | 01/28/2021 |
| DESCRIPTION       | DATE       |

REV