

HSF



ROHS

CONTACT SURFACE

0.025 (.001)  
0.13 (.005)  
CONTACT MUST PROTRUDE  
BEYOND BASE TO MAX. OF 0.13 (.005)

±0.10 A

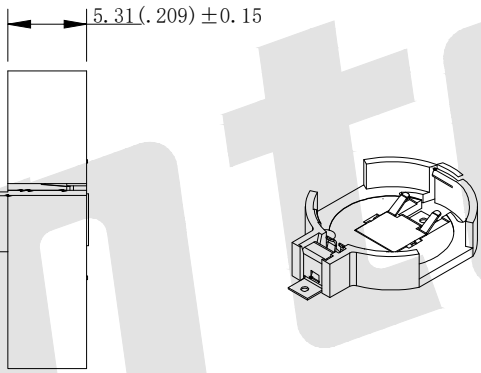
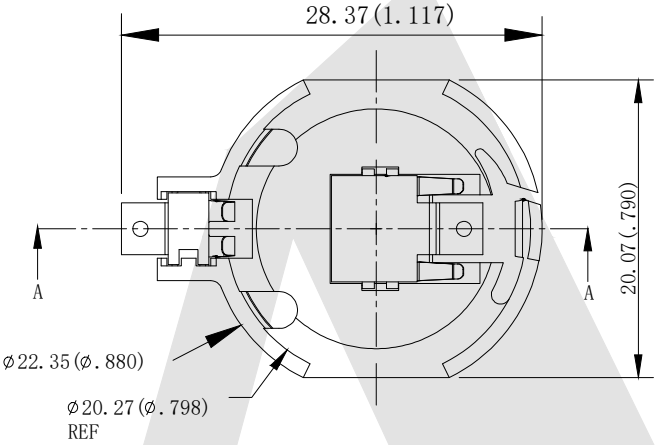
SOLDER TAIL

3.38 (.133)  
(2) PLS

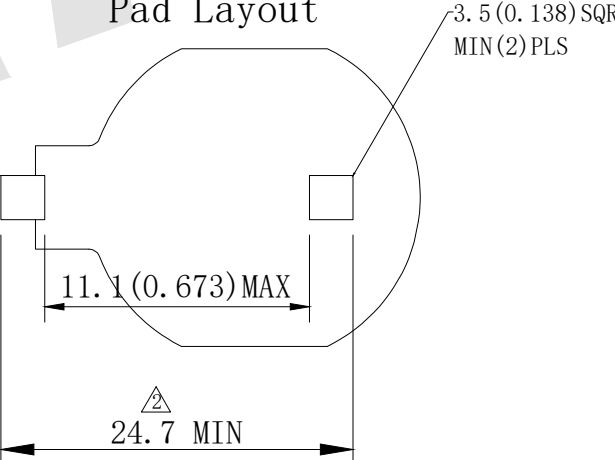
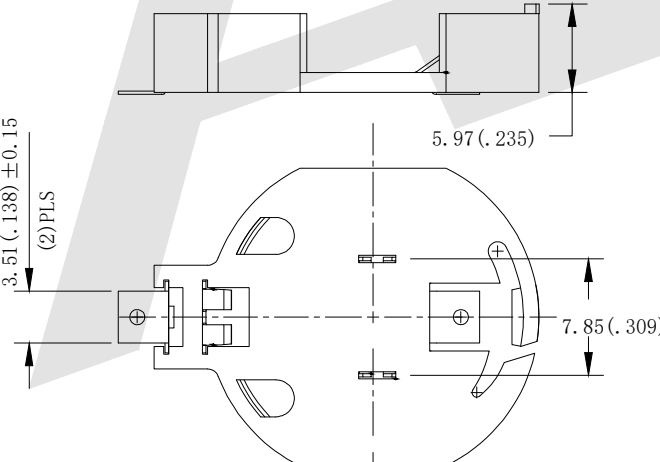
24.7  
SECTION A-A

NOTES:

- 1. BASE:  
MAT' L-PA9T, UL 94V-0, BLACK COLOR
- 2. POS/T/VE CONTACTS:  
MAT' L-, 009[0.23] TH' K PHOSPHOR BRONZE  
FINISH:GOLD FLASH, OVER NICKEL PLATING
- 3. NEGAT/VE CONTACTS:  
MAT' L-. 009[0.23] TH' K STAINLESS STEEL  
FINISH:GOLD FLASH, OVER NICKEL PLATING



Pad Layout



Order code:

BT — M — G0 — R — CR2032P  
 ① ② ③ ④ ⑤

- ① BT: Coin Cell Holders
- ② Apperance for the product  
M:SMT TYPE
- ③ Contact Plating  
SN: Tin  
G0: Gold flash  
G1: 3U" Gold  
G2: 5U" Gold  
G3: 10U" Gold  
G4: 15U" Gold  
G5: 30U" Gold
- ④ Packing method  
A: Tray packing  
R: Tape & reel packing
- ⑤ Product number  
CR2032P

Unless Otherwise specified tolerance  
 X. ±0.35 X.XX: ±0.20  
 X.X: ±0.25 X.XXX: ±0.15

SCALE: As Shown UNIT: mm  
 DRAW Lv Xun Hua DATE 23/03/2019  
 CHECK BobYang DATE 23/03/2019

**Antenk** ANTENK ELECTRONICS CO.,LTD  
[Http://www.antenk.com](http://www.antenk.com)  
 E-mail:sales@antenk.com

TITLE: Coin Cell Holders For CR2032

DRAWING NO: BT-M-G0-R-CR2032P

PRODUCT NO: BT-M-G0-R-CR2032P

Change 24.36 to 24.7

07/06/2022

ADD Pad Layout

05/07/2021

REV	DESCRIPTION	DATE
-----	-------------	------

