

HSF



RoHS

NOTES:

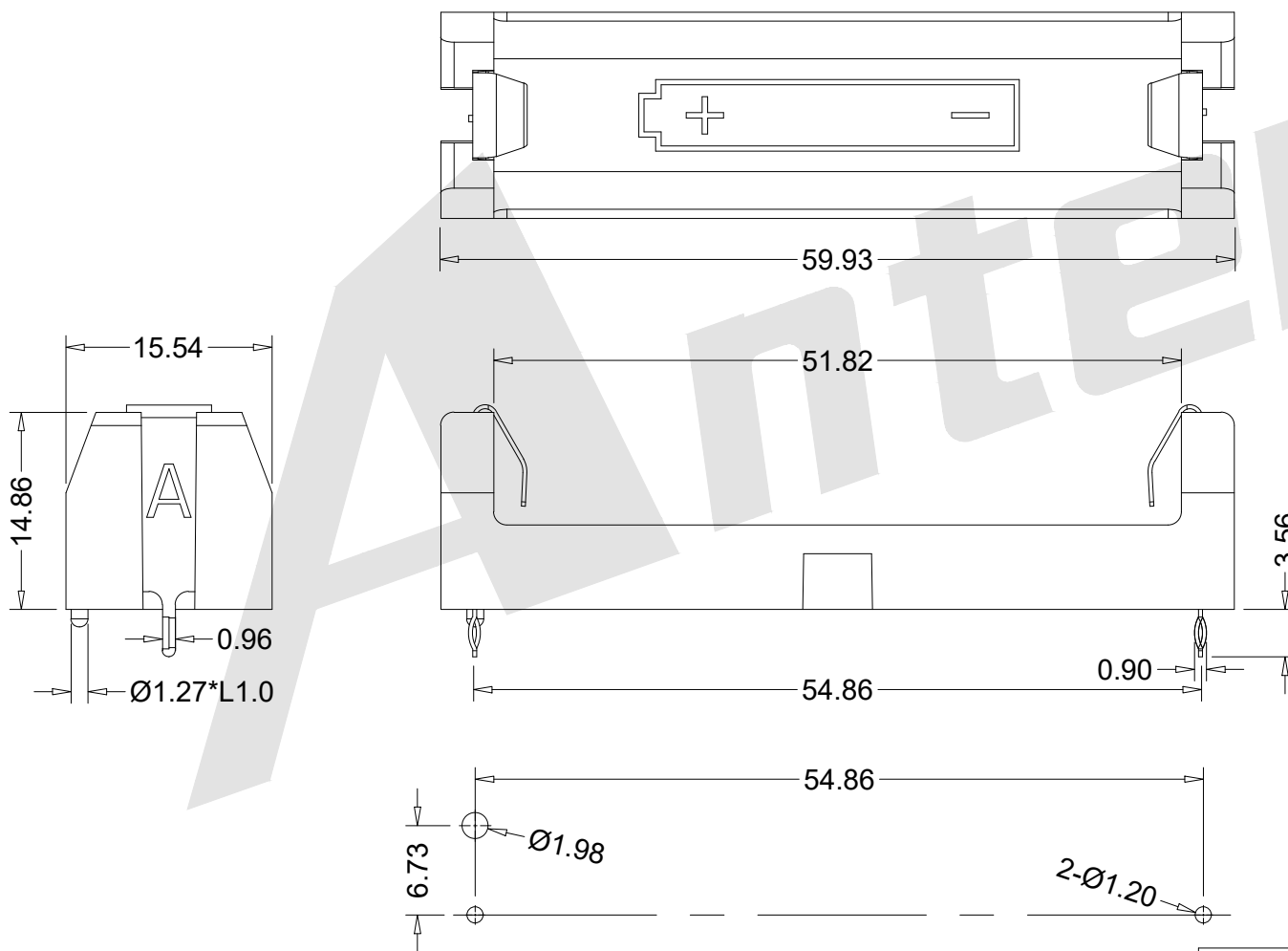
- 1、BASE:  
MATERIAL:HEAT RESISTANCE NYLON, BLACK.
- 2、CONTACT:  
MATERIAL:0.30 THK SPRING STEEL  
FINISH:TIN NICKEL PLATE.

Ordering Code:

BBC - S - SN - A - 1AA-015

① ② ③ ④ ⑤

- ① BBC:Battery Holders
- ② Apperance for the product  
S:180° TYPE
- ③ Contact Plating  
NI: Nickel      SN: Tin  
G0:Gold flash    G3:3U"Gold  
G5:5U"Gold      G10:10U"Gold  
G15:15U"Gold    G30:30U"Gold
- ④ Packing Method  
A:Tray  
B:BAG
- ⑤ Product Number:  
1AA-015



MOUNTING PAD LAYOUT

Unless Otherwise specified tolerance  
X. ±0.35    X.XX:±0.20  
X.X:±0.25    X.XXX:±0.15

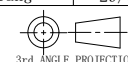
**Antenk**® ANTENK ELECTRONICS CO.,LTD  
Http://www.antenk.com  
E-mail:sales@antenk.com

SCALE: As Shown	UNIT: mm
DRAW GONG FENG	DATE 10/02/2022
CHECK BobYang	DATE 29/03/2019

TITLE:  
SINGLE AA BATTERY HOLDER THM

DRAWING NO:BBC-S-SN-A-1AA-015

PRODUCT NO:BBC-S-SN-A-1AA-015



REV	DESCRIPTION	DATE
1		
2		
3		
4		
5		