



NOTES:

- 1、BASE:
MATERIAL:HEAT RESISTANCE NYLON, BLACK.
- 2、CONTACT:
MATERIAL:0.30 THK SPRING STEEL
FINISH:GOLD FLASH, OVER NICKEL PLATE.

Ordering Code:

BBC - S - SN - A - 1-2AA-017

① ② ③ ④ ⑤

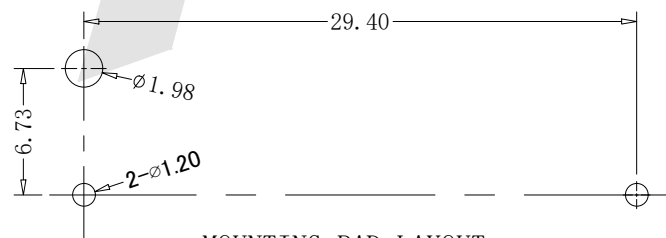
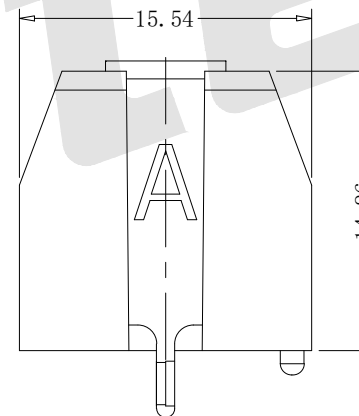
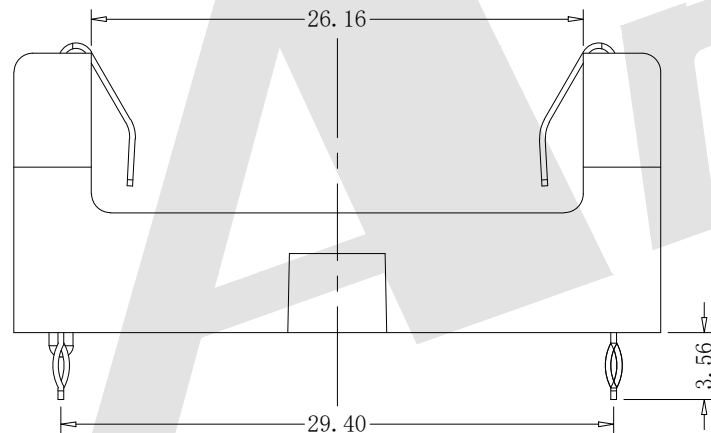
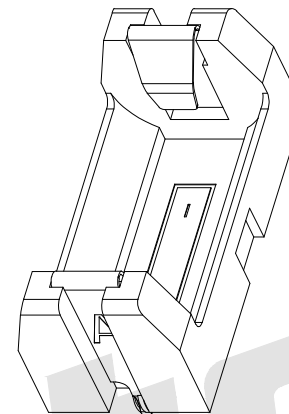
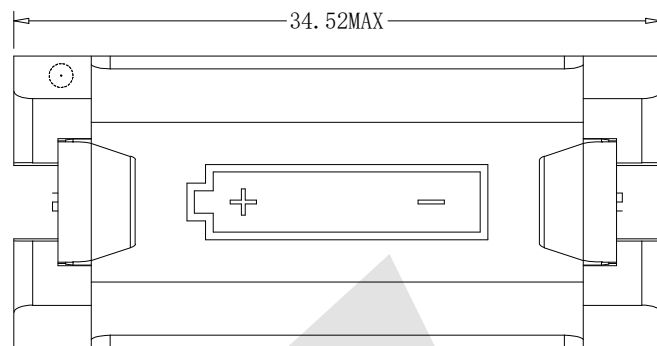
① BBC:Battery Holders

② Apperance for the product
S:180° TYPE

③ Contact Plating
 NI: Nickel SN: Tin
 G0: Gold flash G1: 3U" Gold
 G2: 5U" Gold G3: 10U" Gold
 G4: 15U" Gold G5: 30U" Gold

④ Packing Method
 A: Tray
 B: BAG

⑤ Product Number:
1-2AA-017



MOUNTING PAD LAYOUT

Unless Otherwise specified tolerance
 X. ±0.35 X.XX: ±0.20
 X.X: ±0.25 X.XXX: ±0.15

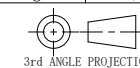
SCALE: As Shown	UNIT: mm
DRAW GONG FENG	DATE 23/01/2022
CHECK BobYang	DATE 23/01/2022

Antenk® ANTENK ELECTRONICS CO.,LTD
[Http://www.antenk.com](http://www.antenk.com)
 E-mail:sales@antenk.com

TITLE:
SINGLE 1/2 AA BATTERY HOLDER THM

DRAWING NO:BBC-S-SN-A-1-2AA-017

PRODUCT NO:BBC-S-SN-A-1-2AA-017



REV	DESCRIPTION	DATE
1		
2		
3		
4		
5		