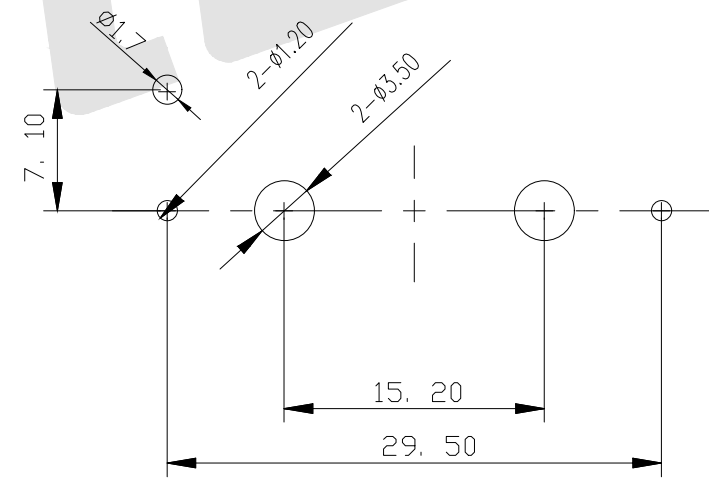
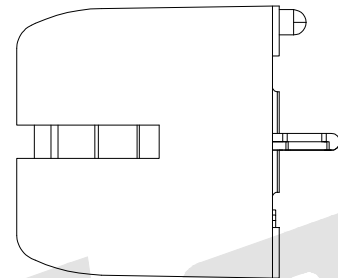
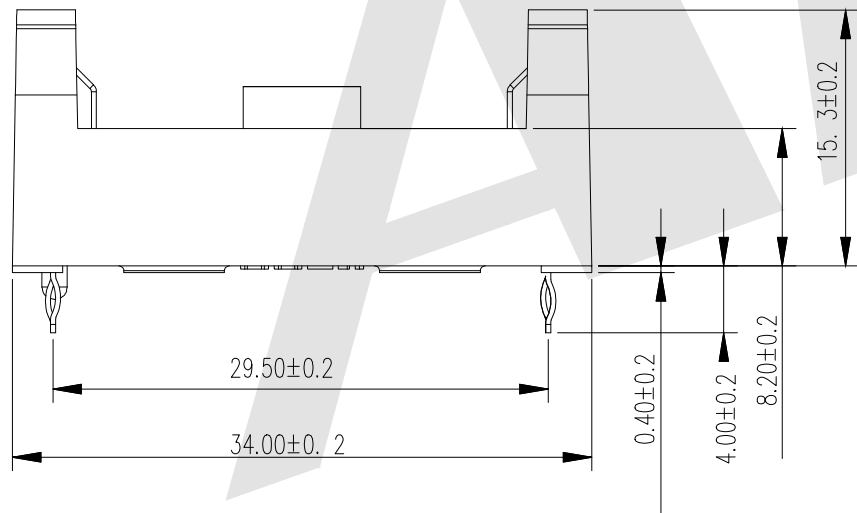
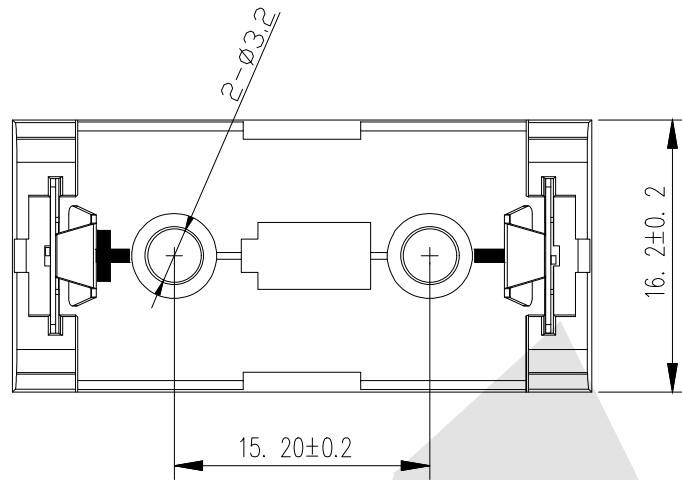


HSF



Note:
 1. Holder Material :PBT+30% glass fiber black color
 2. Contact Material :0.3mm thick stainless nickel plated

Order code:
 ▲ BBC - S - SI - A - 1-2AA-001

- ① BBC: Battery Holder
- ② Appearance for the product S:180 TYPE
- ③ Contact Plating SI: NICKEL Plated SN: Tin
 G0: Gold flash
 G1: 3U" Gold
 G2: 5U" Gold
 G3: 10U" Gold
 G4: 15U" Gold
 G5: 30U" Gold
- ④ Packing method
 A: Tray
 B: BAG
- ⑤ Product number
 1-2AA-001

PCB LAYOUT

Unless Otherwise specified tolerance
 X.±0.35 X.XX:±0.20
 X.X:±0.25 X.XXX:±0.15

SCALE: As Shown UNIT: mm
 DRAW ZLA DATE 12/13/2022
 CHECK BobYang DATE 12/13/2022

Antenk® ANTENK ELECTRONICS CO.,LTD
 Http://www.antenk.com
 E-mail:sales@antenk.com

TITLE: ▲ Battery Holder For 1/2AA
 DRAWING NO: BBC-S-SI-A-1-2AA-001 ▲
 PRODUCT NO: BBC-S-SI-A-1-2AA-001

▲	Change BT-S-SI-A-CR123A-C to BBC-S-SI-A-1-2AA-001,Revise Tittle	12/14/2022
MK/标记	DESCRIPTION/修订内容	DATE/日期(M/D/Y)

VER./版本号
 3rd ANGLE PROJECTION