



NOTES:

Material: Self-extinguishing Thermoplastic Polyester, color black
 Temperature Range: -40°C to +180°C
 Contacts: 302 Stainless Steel Spring Temper, Nickel Plated
 Flammability Range: UL 94 V-0
 Dielectric Strength: 580 Voits/MII, at 25°C for 5 Sec.
 Resistance to Solvents: Xylene, ethyl, butyl, methyl & toluene
 Weight: 35.58g.

ROHS 2 COMPLIANT

Ordering Code:

△ BBC - S - NI - A - 18650-2
 ① ② ③ ④ ⑤

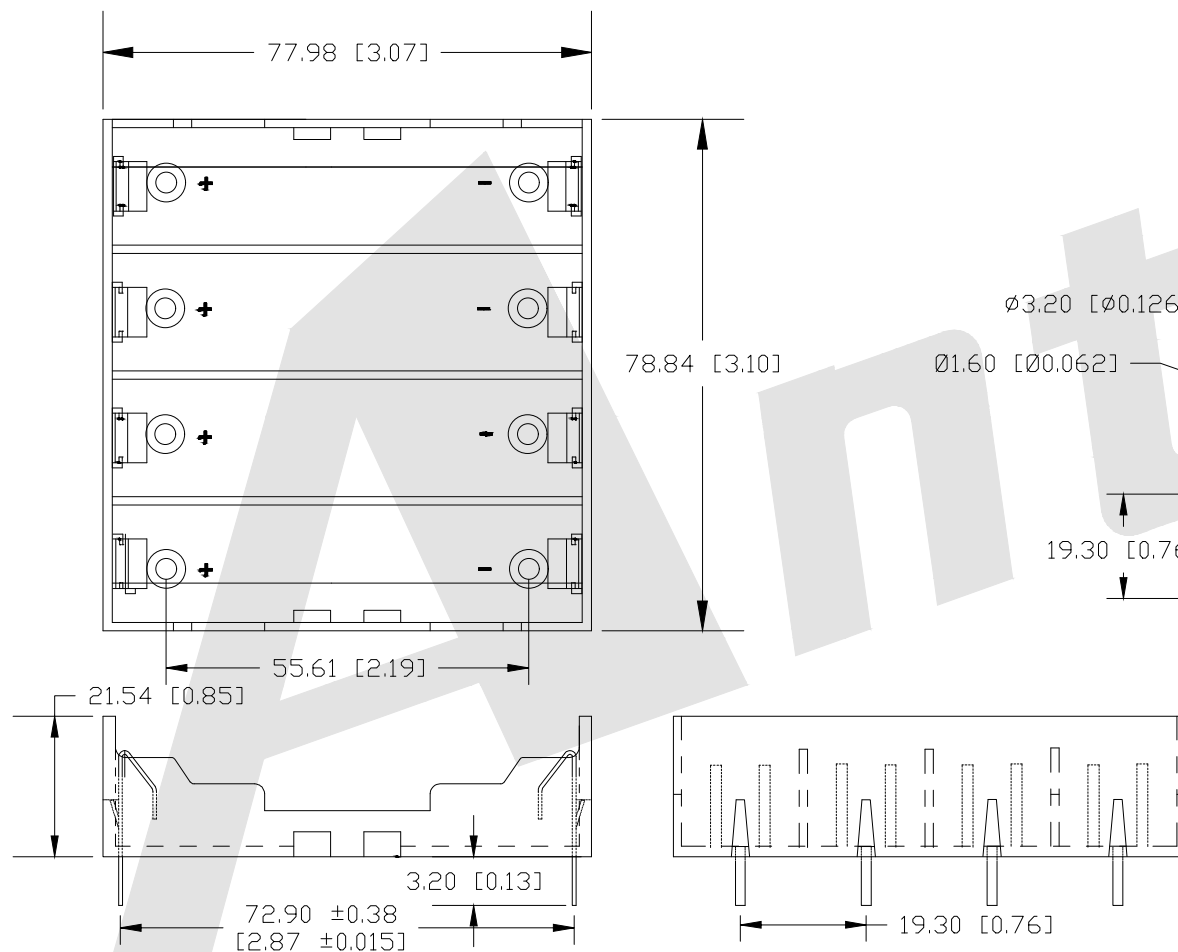
① BBC: Battery Holders

② Appearance for the product
S: 180° TYPE

③ Contact Plating
 NI: Nickel SN: Tin
 G0: Gold flash G1: 3U" Gold
 G2: 5U" Gold G3: 10U" Gold
 G4: 15U" Gold G5: 30U" Gold

④ Packing Method
 A: Tray
 B: BAG

⑤ Product Number:
18650-2



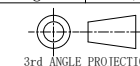
PCB LAYOUT

Mounting Instruction:

Use 2-56 machine screws or eyelets 0.089" OD
 by 0.15" flange stimpson GS-3 series or equivalent.
 also adhesives and double sided tapes work well.

Unless Otherwise specified tolerance
 X. ±0.35 X.XX: ±0.20
 X.X: ±0.25 X.XXX: ±0.15

SCALE: As Shown UNIT: mm
 DRAW Jack Bao DATE 02/01/2019
 CHECK BobYang DATE 02/01/2019



Antenk ANTENK ELECTRONICS CO., LTD
[Http://www.antenk.com](http://www.antenk.com)
 E-mail: sales@antenk.com

TITLE: 4 pieces battery holders FOR
Li-ion 18650 Dip

DRAWING NO: BBC-S-NI-A-18650-2

PRODUCT NO: BBC-S-NI-A-18650-2

REV	DESCRIPTION	DATE
△	Change BBC-8-4-A-P to BBC-S-NI-A-18650-2	12/14/2022