

HSF



NOTE:

Type:Surface Mounted Device
 Base Material:Nylon Resin,Black Color
 Contacts:0.35Phosphor Bronze Flash Gold
 Flammability Rating:UL 94 V-0
 Dielectric Strength: 560 Voits/M11,at 25°C
 For 5 Sec

ROHS COMPLIANT

△△ BBC - S - GO - A - 18650-1

① ② ③ ④ ⑤

① BBC: Battery Holder △△

② Apperance for the product

S:180°

③ Contact PIating

SI: NICKEL Plated G2: 5U" Gold

SN: Tin G3: 10U" Gold

GO: Gold flash G4: 15U" Gold

G1: 3U" Gold G5: 30U" Gold

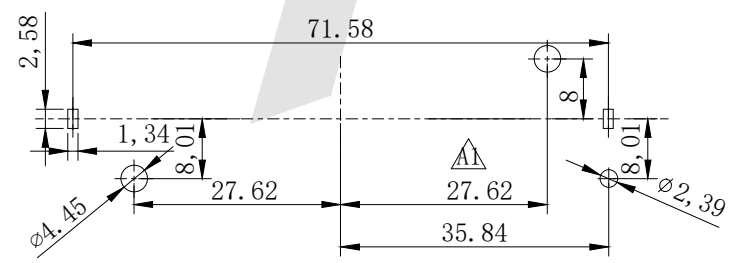
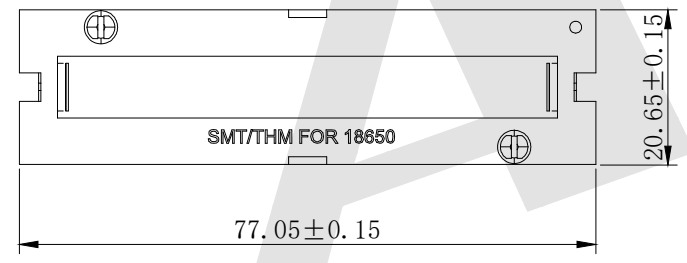
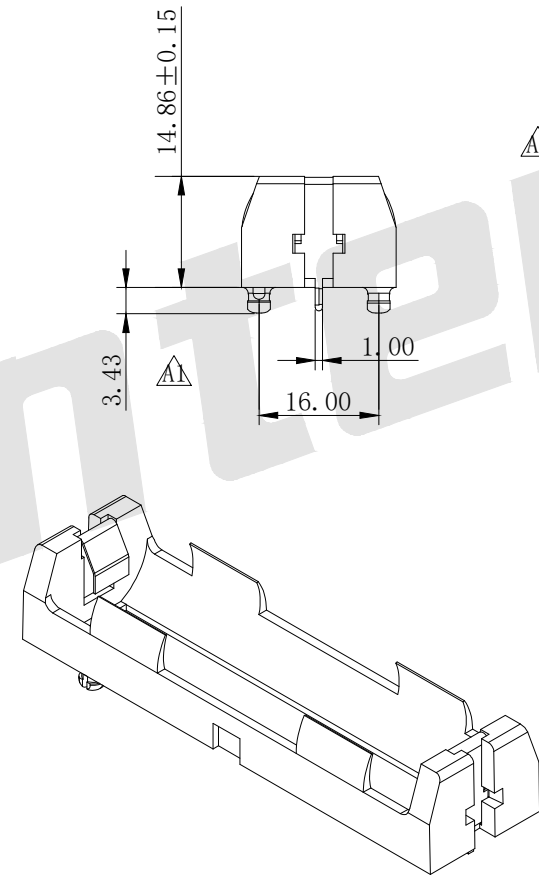
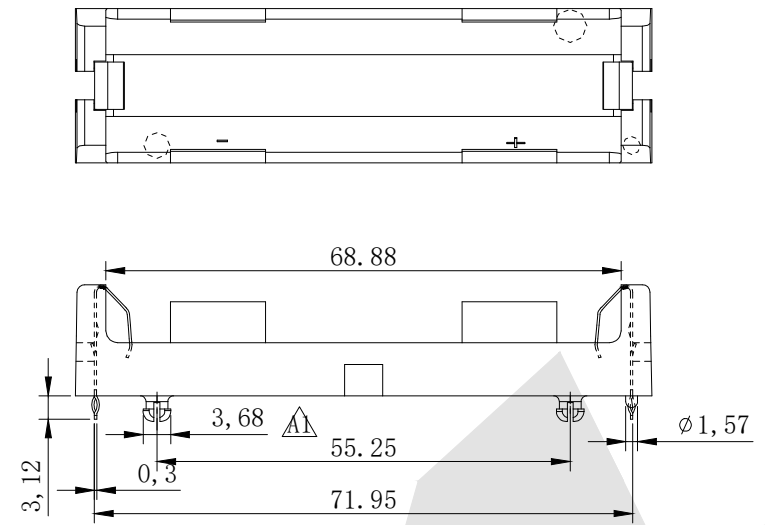
④ Packing method

A: Tray packing

B: BAG

⑤ Product number

18650-1



PCB LAYOUT

Unless Otherwise specified tolerance
 X. ±0.35 X.XX: ±0.20
 X.X: ±0.25 X.XXX: ±0.15

SCALE: As Shown UNIT: mm
 DRAW: Wu Feng Rong DATE: 05/08/2019
 CHECK: BobYang DATE: 05/08/2019
 3rd ANGLE PROJECTION

Antenk ANTENK ELECTRONICS CO.,LTD
 Http://www.antenk.com
 E-mail:sales@antenk.com

TITLE: △△
 Battery Holder For One Li-ion 18650 Dip

DRAWING NO: BBC-S-GO-A-18650-1 △△

PRODUCT NO: BBC-S-GO-A-18650-1

△△	Change BT to BBC,Revise Title	12/14/2022
△△	Mark Post Size	11/26/2020
REV	DESCRIPTION	DATE