



NOTES:

- 1、BASE:  
MATERIAL:HEAT RESISTANCE NYLON, BLACK.
- 2、CONTACT:  
MATERIAL:0.30 THK SPRING STEEL  
FINISH:GOLD FLASH, OVER NICKEL PLATE.

Ordering Code:

BBC - M - G0 - A - 1AA-014

① ② ③ ④ ⑤

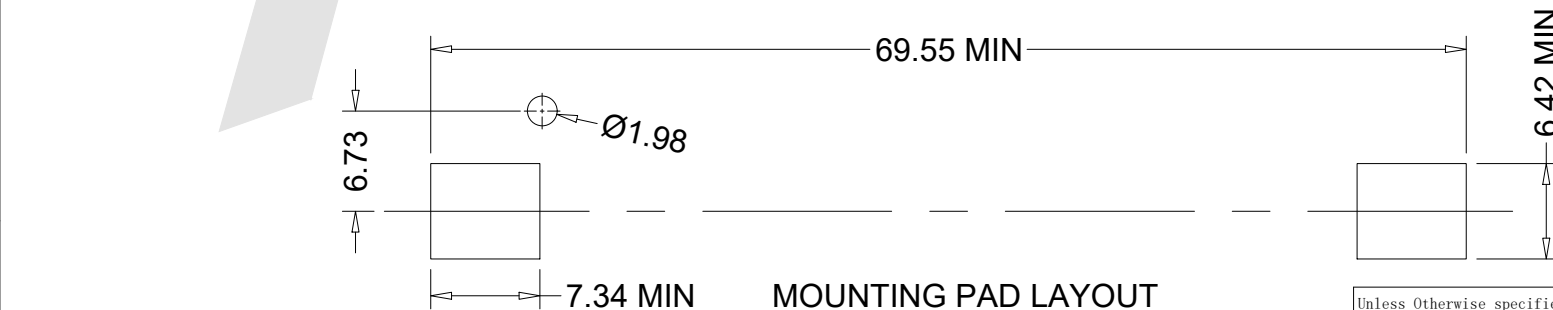
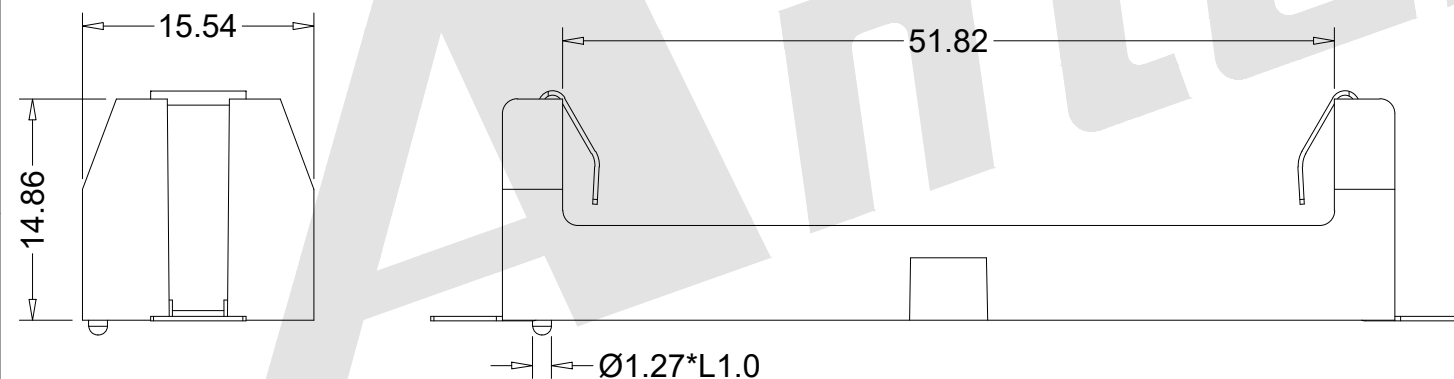
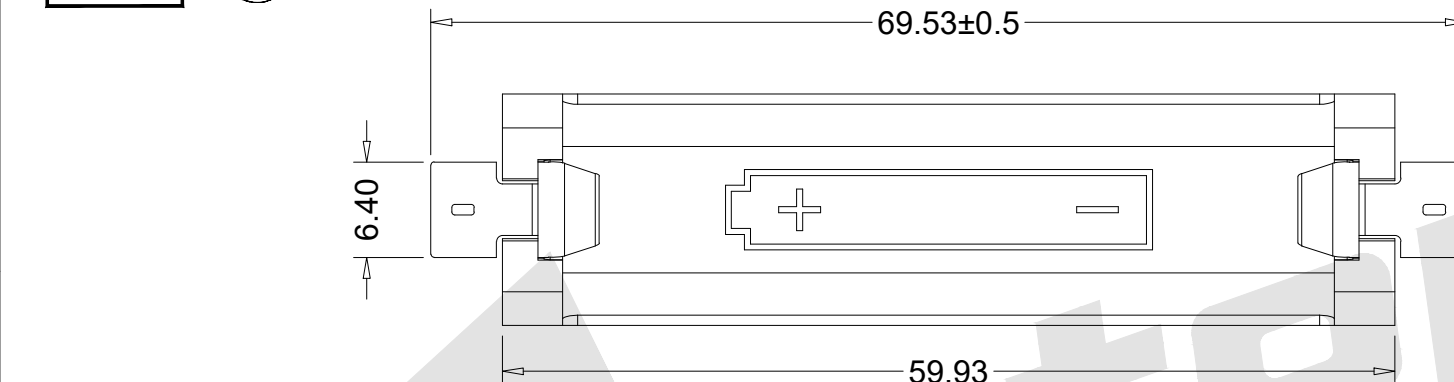
① BBC:Battery Holders

② Apperance for the product  
M:SMT TYPE

③ Contact Plating  
 NI: Nickel SN: Tin  
 G0:Gold flash G3:3U"Gold  
 G5:5U"Gold G10:10U"Gold  
 G15:15U"Gold G30:30U"Gold

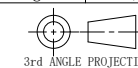
④ Packing Method  
 A:Tray  
 B:BAG

⑤ Product Number:  
 1AA-014



Unless Otherwise specified tolerance  
 X. ±0.35 X.XX: ±0.20  
 X.X: ±0.25 X.XXX: ±0.15

SCALE: As Shown UNIT: mm  
 DRAW GONG FENG DATE 10/02/2022  
 CHECK BobYang DATE 29/03/2019



**Antenk**® ANTENK ELECTRONICS CO.,LTD  
[Http://www.antenk.com](http://www.antenk.com)  
 E-mail:sales@antenk.com

TITLE:  
 SINGLE AA BATTERY HOLDER SMT

DRAWING NO:BBC-M-G0-A-1AA-014

PRODUCT NO:BBC-M-G0-A-1AA-014

REV	DESCRIPTION	DATE
1		