

HSF  RoHS

NOTE:

Type:Surface Mounted Device
 Base Material:Nylon Resin,Black Color
 Contacts:0.30 THK Stainless Steel
 Flammability Rating:UL 94 V-0
 Dlelectric Strength: 560 Voits/M11,at
 25°C For 5 Sec

Ordering Code:

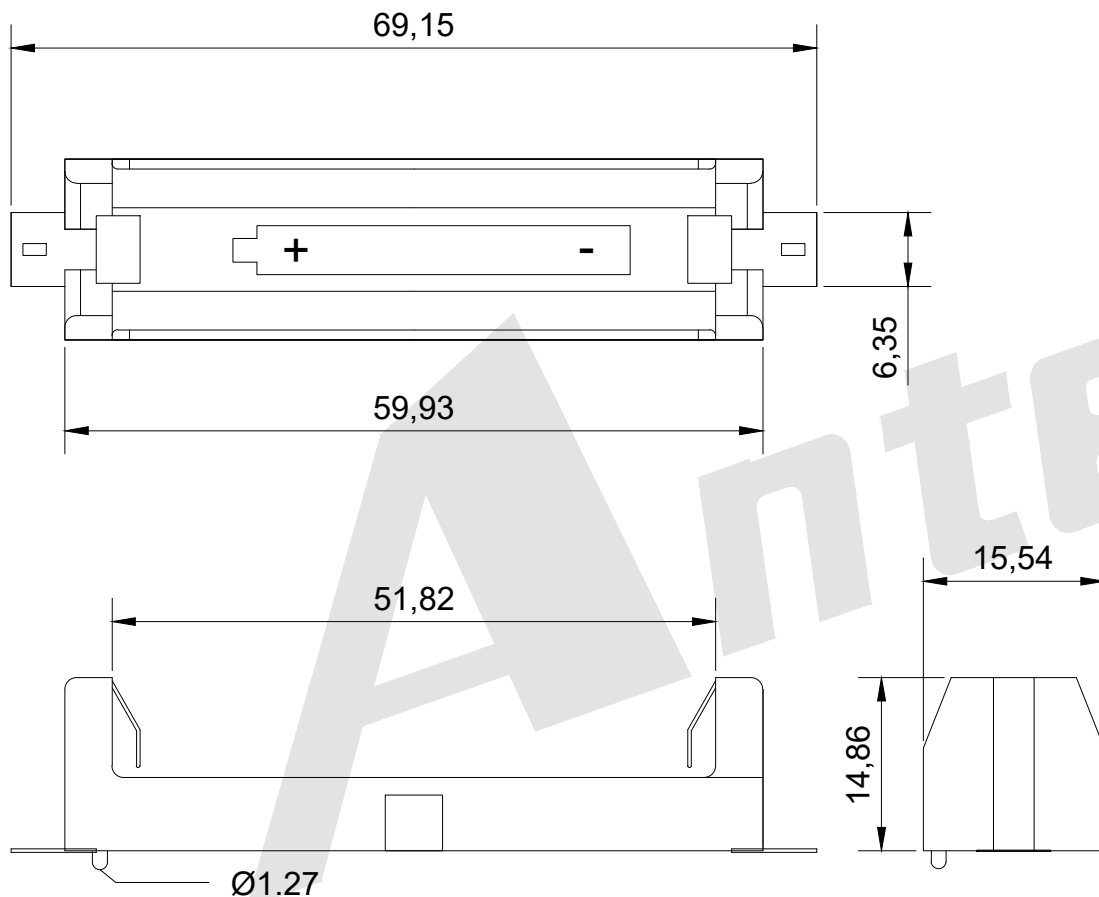
$\triangle A1$ BBC - M - GO- A - 18650-1

- ① BBC: Battery Holder $\triangle A1$
- ② Apperance for the product

M:SMT TYPE

- ③ Contact Plating
 SI: NICKEL Plated G2: 5U" Gold
 SN: Tin G3: 10U" Gold
 GO: Gold flash G4: 15U" Gold
 G1: 3U" Gold G5: 30U" Gold

- ④ Packing method
 A: Tray
 B: BAG
- ⑤ Product number
 18650-1



Unless Otherwise specified tolerance	
X.±0.35	X.XX:±0.20
X.X:±0.25	X.XXX:±0.15

 ANTENK ELECTRONICS CO.,LTD
[Http://www.antenk.com](http://www.antenk.com)
 E-mail:sales@antenk.com

SCALE: As Shown	UNIT: mm
--------------------	-------------

DRAW Wu Feng Rong	DATE 14/10/2019
----------------------	--------------------

CHECK BobYang	DATE 14/10/2019
------------------	--------------------

TITLE:
 $\triangle A1$ Battery Holder For One Li-ion
 18650 SMT With Post

DRAWING NO: $\triangle A1$ BBC-M-GO-A-18650-1
PRODUCT NO: BBC-M-GO-A-18650-1



$\triangle A1$ REV	Change BT to BBC,Revise Tittle	12/14/2022
	DESCRIPTION	DATE