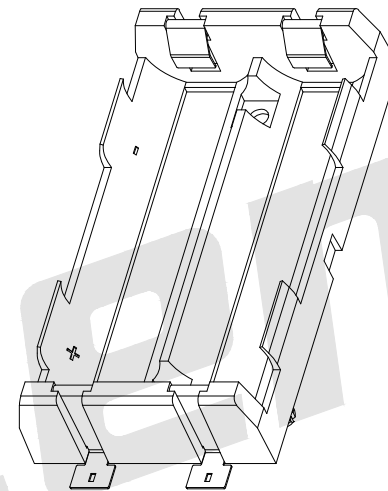
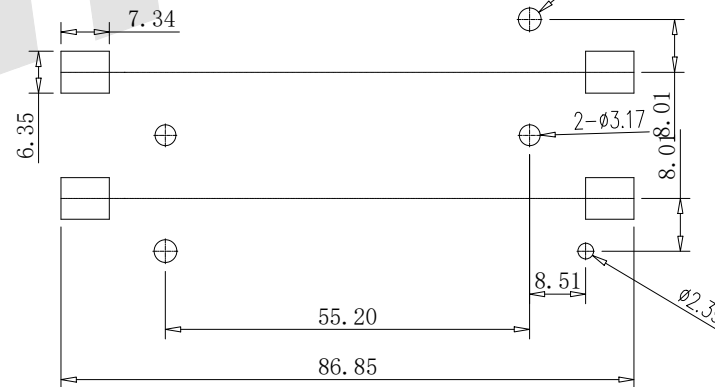
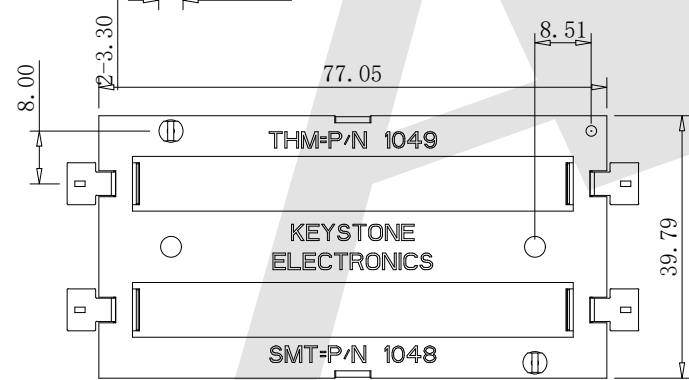
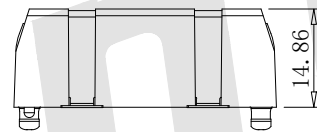
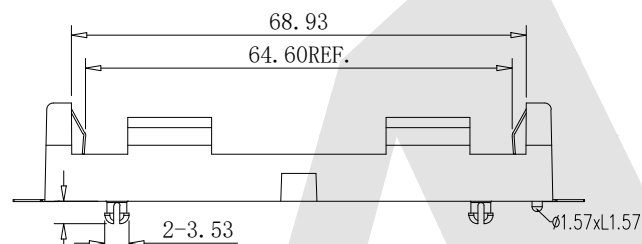
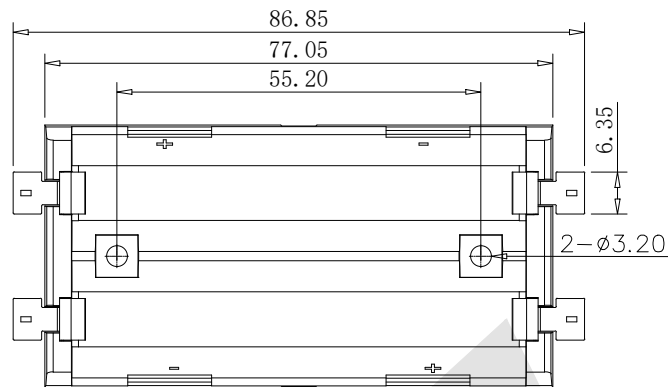


HSF



NOTE:
 1. BASE:
 MAT'L: HEAT RESISTANCE NYLON
 STANYL 46 OR EQUIVALENT
 2. CONTACT:
 MATL: .012 [0.30] THK STAINLESS STEEL
 FINISH: GOLD FLASH, OVER NICKEL PLATE

BBC - M - GO - A - 18650-048

- ① BBC: Battery Holder
- ② Appearance for the product
- M: SMT
- ③ Contact Plating
 Sl: NICKEL Plated G2: 5U" Gold
 SN: Tin G3: 10U" Gold
 GO: Gold flash G4: 15U" Gold
 G1: 3U" Gold G5: 30U" Gold
- ④ Packing method
 A: Tray packing
 B: BAG
- ⑤ Product number
 18650-048

Unless Otherwise specified tolerance
 X.±0.35 X.XX:±0.20
 X.X:±0.25 X.XXX:±0.15

SCALE: As Shown UNIT: mm
 DRAW ZLA DATE 01/06/2023
 CHECK BobYang DATE 01/06/2023

VER./版本号 3rd ANGLE PROJECTION

Antenk® ANTENK ELECTRONICS CO.,LTD
 Http://www.antenk.com
 E-mail:sales@antenk.com

TITLE: Dual Battery Holder For 18650 SMT

DRAWING NO: BBC-M-GO-A-18650-048

PRODUCT NO: BBC-M-GO-A-18650-048

MK/标记

DESCRIPTION/修订内容

DATE/日期(M/D/Y)