



NOTES:

- 1、BASE:  
MATERIAL:HEAT RESISTANCE NYLON, BLACK.
- 2、CONTACT:  
MATERIAL:0.30 THK SPRING STEEL  
FINISH:GOLD FLASH, OVER NICKEL PLATE.

Ordering Code:

BBC - M - G0 - A - 1-2AA-016

① ② ③ ④ ⑤

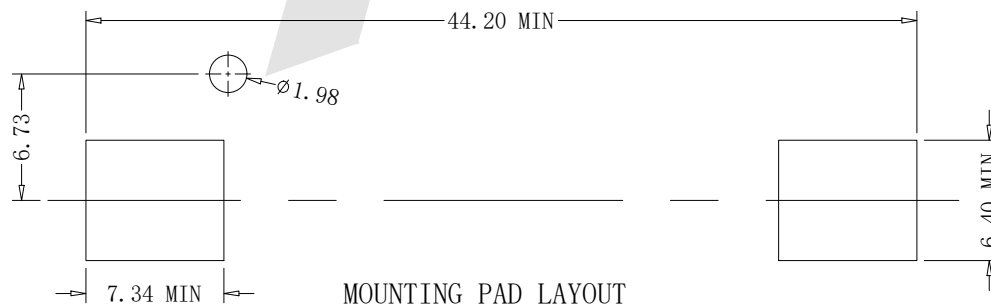
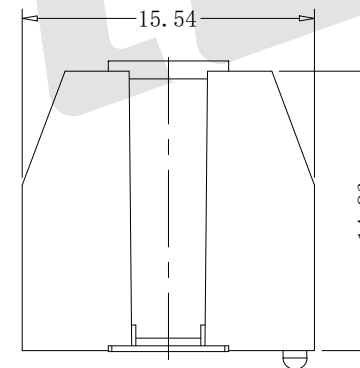
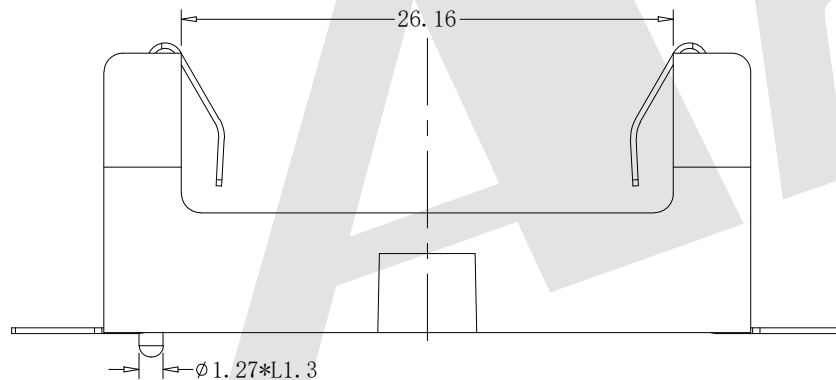
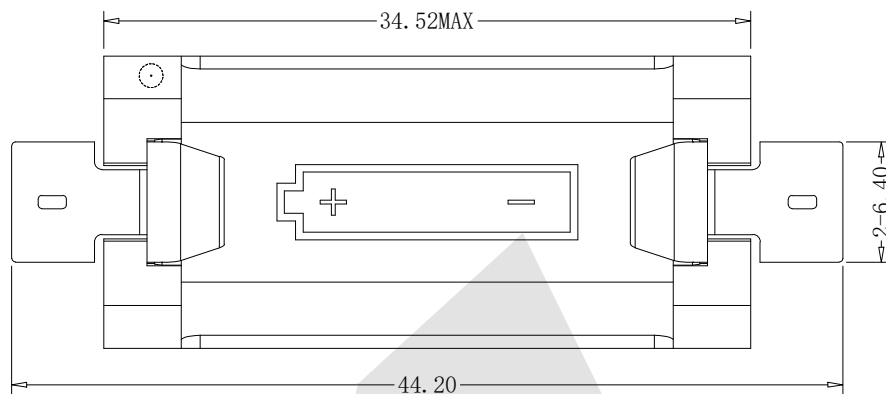
① BBC:Battery Holders

② Apperance for the product  
M:SMT TYPE

③ Contact Plating  
 NI: Nickel SN: Tin  
 G0:Gold flash G1:3U"Gold  
 G2:5U"Gold G3:10U"Gold  
 G4:15U"Gold G5:30U"Gold

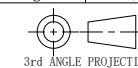
④ Packing Method  
 A:Tray  
 B:BAG

⑤ Product Number:  
 1-2AA-016



Unless Otherwise specified tolerance  
 X.  $\pm 0.35$  X. XX:  $\pm 0.20$   
 X. X:  $\pm 0.25$  X. XXX:  $\pm 0.15$

SCALE: As Shown UNIT: mm  
 DRAW Lv Xun Hua DATE 29/03/2019  
 CHECK BobYang DATE 29/03/2019



**Antenk** ANTENK ELECTRONICS CO.,LTD  
[Http://www.antenk.com](http://www.antenk.com)  
 E-mail:sales@antenk.com

TITLE:  
 SINGLE 1/2 AA BATTERY HOLDER SMT

DRAWING NO:BBC-M-G0-A-1-2AA-016

PRODUCT NO:BBC-M-G0-A-1-2AA-016

REV	DESCRIPTION	DATE
1		
2		
3		
4		
5		