

RF CABLE ASSEMBLIES

Antenna switch SMA(f) straight EDGE

This microminiature switching connector automatically switch from internal circuit and an external curcuit when mated. It is ideal for portable wireless devices allowing automatically swithcing between the internal antenna and higher-gain external antenna.

SECTRON assemblies in its own factory placed in the Czech republic a series of RF Coaxial Cable Assemblies using cable types H155, RF195/LMR195, RG174, RG178 and original Hirose and Murata ultra miniature coaxial cables of diameter starting at 0.8 mm. For RF cable adaptors are used connectors U.FL, GSC, FME, SMA, SMB, MCX, MMCX, TNC, N, MC Card and SMP.

Features and benefits

- Continuous Production Quality Management Process
- High Quality of Soldered Joint
- Low Insertion Loss
- Reliable Mechanical Connection



WiFi



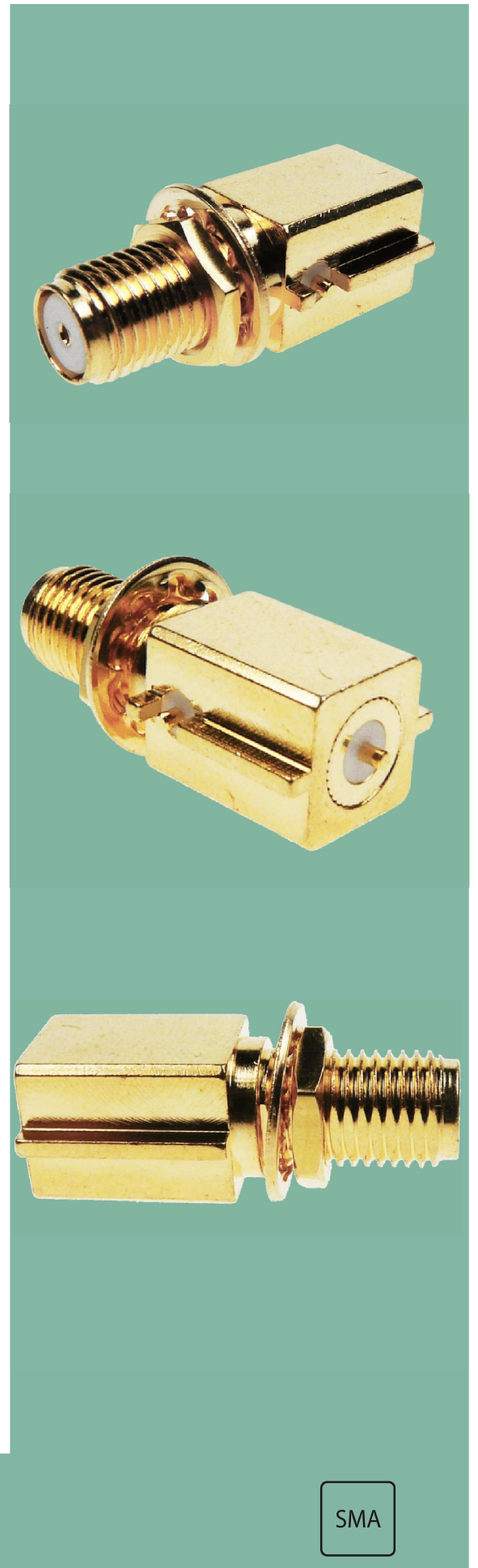
Bluetooth



GPS



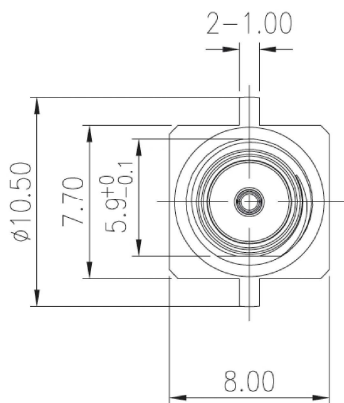
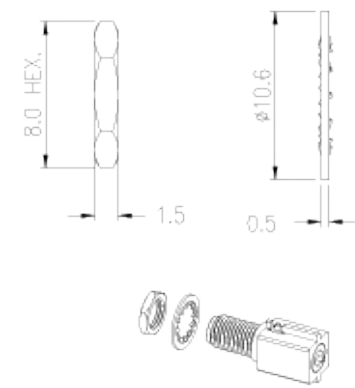
GSM



SMA

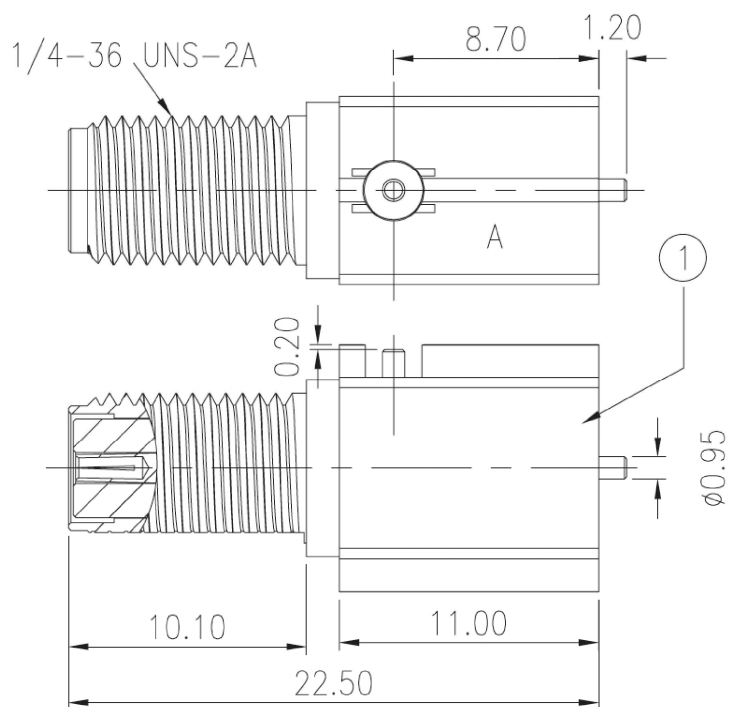
Specification

Frequency	12.4 GHz flexible cable, 18 GHz semi-rigid cable
VSWR	1.15 + 0.02 x f GHz for straight connector typical 1.25 + 0.025 x f GHz for right angle connector typical
Nominal Impedance	50 Ω
Temperature range	± 50 °C
Voltage	500 V AC (rms)
Insulation Resistance	5000 MΩ min.



SMA connector

Body	Brass, Gold over nickel
Insulator 1	PTFE
Socket contact	Beryllium Copper
Ring	Brass
Insulator 2	PTFE
Pin contact	Brass
Insulator 3	PTFE
Spring	SWP-B



Part numbering

AO-SFES-01 Antenna switch SMA(f) straight EDGE