

# AN310-TX2-FN51

## Features

- Active FAN solution.
- Extended temperature range -25°C to 80°C.
- Rich I/O interfaces for wireless, mSATA storage, and add-on card expansion.
- Specifically designed for high performance and low-power envelope AI computing
- Suitable for industrial inspection, surveillance.

## Specifications

### System Carrier Board

- AN310

### Module

- NVIDIA Jetson TX2 Module

### Material

- SGCC

### Chassis Color

- Black

### Front Panel External I/O

- 2x SMA connector
- Power Button

### Rear Panel External I/O

- 2x USB 3.0 Type A
- 1x HDMI
- 1x USB 2.0 OTG
- 1x RJ45(10/100/1000M)
- 1x Euroblock(Power input)

### Expansion Slot

- 1x Full size Mini PCI-E socket(mPCIe + mSATA)
- 1x Micro SD

### Power Supply

- DC 9~19V/5A

### Dimension

- 132(W) x 92(D) x 69(H)mm

### Operating Temperature

- -25°C ~ 80°C

### Operating Humidity

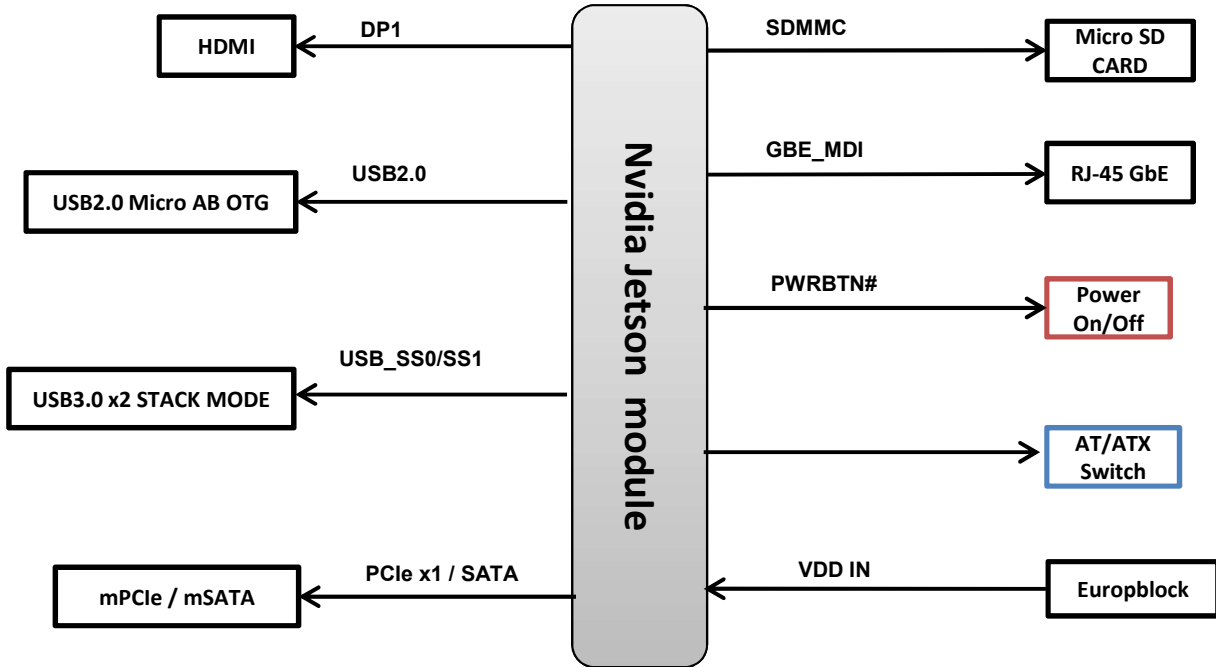
- 10% ~ 95%

### Storage Temperature

- -40°C ~ +85°C



## Block Diagram



## Dimension

