

# AN110 with etsoNANO Module

## Features

- This product is a small, powerful computer for embedded applications and AI IoT that delivers the power of modern AI.
- The Camera Serial Interface (CSI) is based on MIPI CSI 2.0 standard specification can support up to 2xFull HD or 1x 4K camera.
- Suitable for NVR (Single Machine), Entry-level home robot and smart gateway.

## Specifications

### NANO Processor

- NVIDIA Tegra X1 series SOC
- GPU: NVIDIA Maxwell™, 128 CUDA cores
- CPU: Quad-core ARM Cortex-A57 MPCore processor
- Memory: 4GB 64-bit LPDDR4
- Storage: 16GB eMMC 5.1
- Performance: 472 GFLOPS(FP16)
- Dimension: 69.5 x 45mm

### AN110 Board Dimension

- 87.4 x 67.4mm

### I/O Interface

- 1x HDMI Type A
- 1x RJ-45 for GbE
- 2x USB3.2 Gen1 Type A
- 1x USB2.0 Micro AB
- 1x Micro SD
- 1x FPC Camera connector(15pins/MIPI CSI 2Lanes)
- 1x FPC Camera connector(36pins/MIPI CSI 4Lanes)
- 1x Front Panel
- 1x RS-232 / 2 x UART / 1 x I2C / 5 x GPIO / 1x SPI
- 1x DC-in 12V (2 Pin Euroblock)
- 1x eDP (12V)
- 1x M.2 E key 2230

### Operating Temperature

- -20°C ~ +55°C (Board Standard temperature)

### Operating Humidity

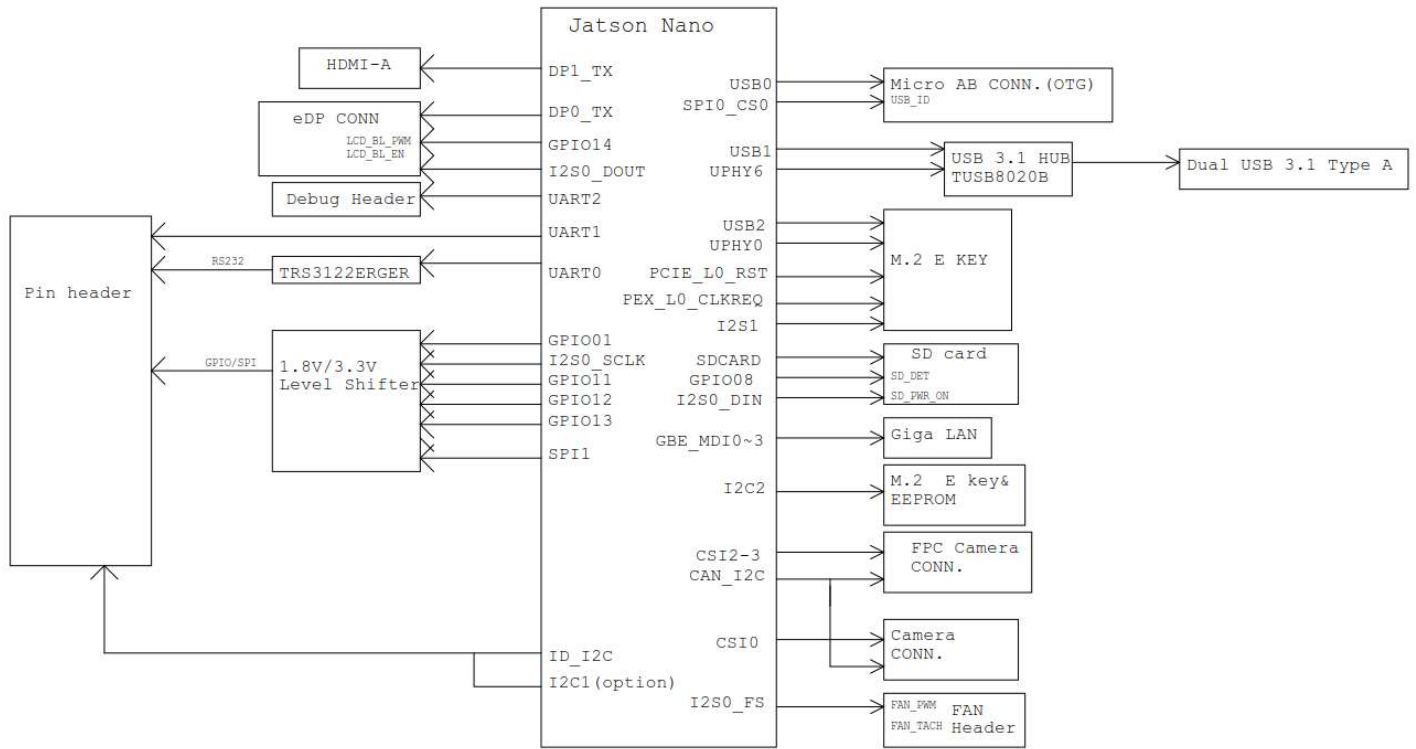
- 10% ~ 90%

### Storage Temperature

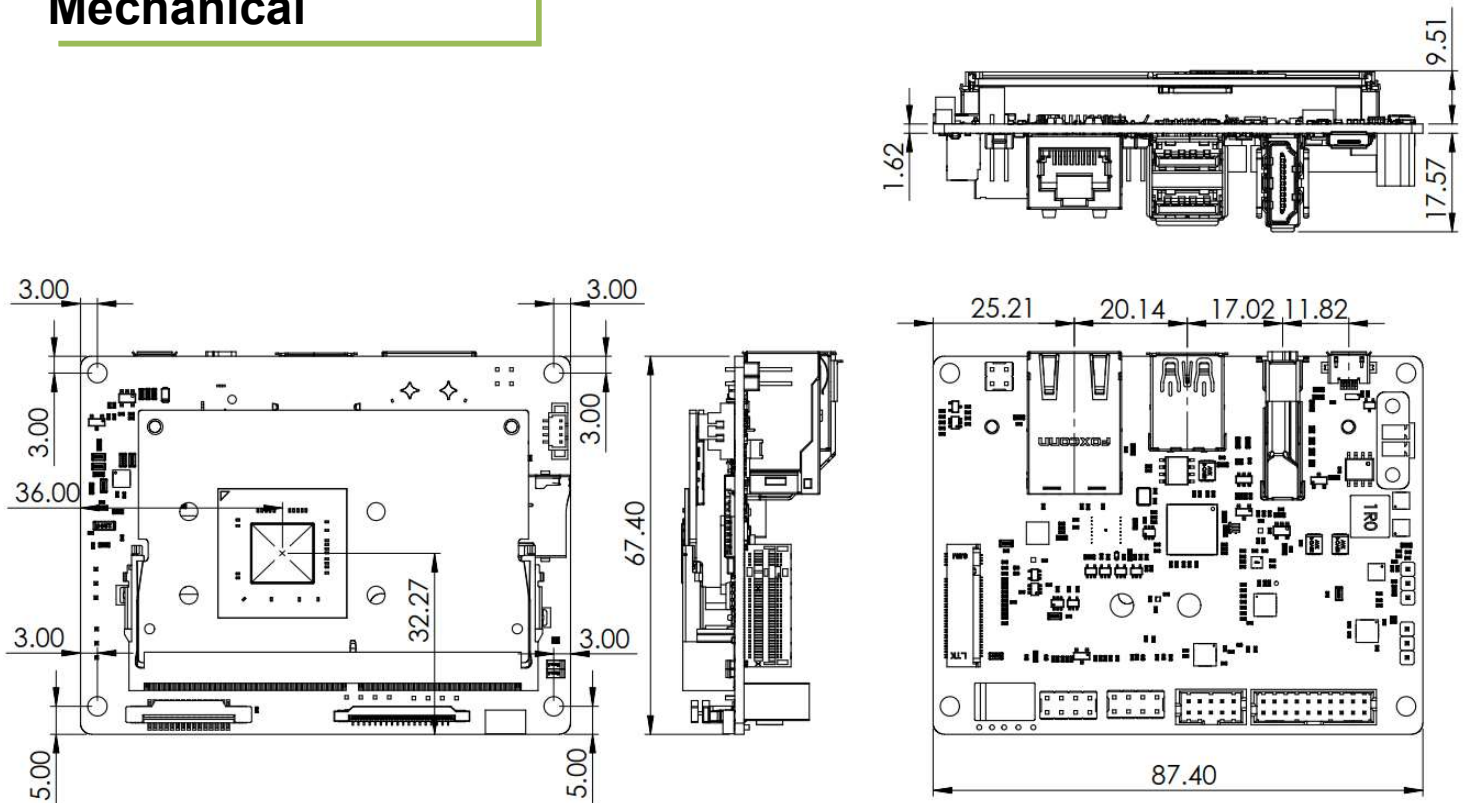
- -40°C ~ +85°C



## Block Diagram



## Mechanical



## Ordering Information

Product name	Description
AN110-NAO-FN01	AN110 Carrier + NANO™ Module including I/O Cables, Standard temp -25°C to +80°C
AN110-NAO-EN02	AN110 + NANO™ Module + Heatsink + I/O Cables + Power Adapter + US Power Cord -20°C to +55°C
AN110-NAO-EN03	AN110 + NANO™ Module + Heatsink + I/O Cables + Power Adapter + EU Power Cord -20°C to +55°C
AN110-NAO-EN70	AN110 + NANO™ Module + Fanless Chassis + Power Adapter -20°C to +55°C

## Accessory (Optional)

Product name	Description
7W8000000040	US Power Cord SVT 18AWG Cable 1800mm Black 105 °C
7W8000000050	EU Power Cord H05VV-F 0.75mm2/3G SL-6+SL-3 Cable 1800mm Black
9Z3BC0000020	100-240V 60W 12V 5A Adapter
9Z2XX3314010	Passive Heat Sink

12V/5A 60W Adapter



Passive Heat Sink



## AVL List

### MIPI CAMERA

Vendor	Sensor	Frame rate	Sensor Size	Shutter	Resolution	Pixel Size
APPRO	SONY CMOS IMX290	30fps/60fps	1/2.8"	Rolling	2M(1920x1080)	2.9um x 2.9um
APPRO	SONY CMOS IMX334	30fps	1/1.8"	Rolling	4K(3840x2160)	2.0um x 2.0um
APPRO	SONY CMOS IMX179	3280x2464 x15fps 1920x1080 x30fps	1/3.2"	Rolling	8M(3280x2464)	1.4um x 1.4um

### M.2 Device

Vendor	Product	Function	Form factor	Description
Intel	Intel 8265NGW	WiFi/BT	M.2 E Key	Dual Band Wireless-AC M.2 2230 Device