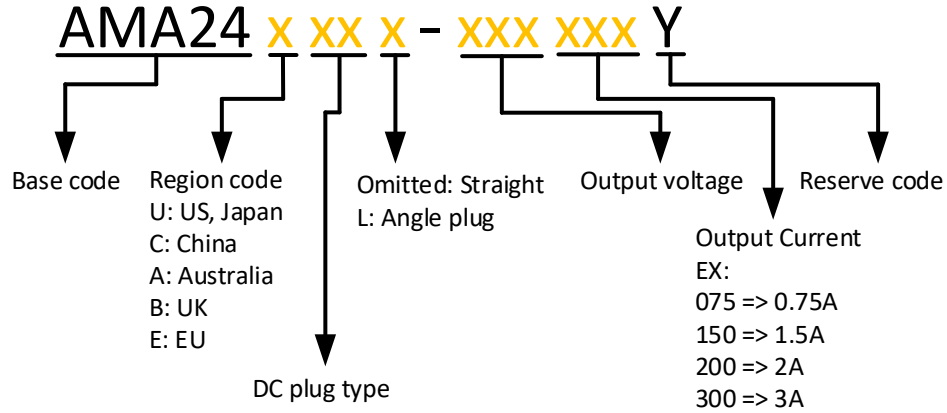


# Custom Product

## Models & Specifications

### General Feature

Model	Input Voltage (VAC)	Output Voltage (VDC)	Output Current max (A)	Output Power max (W)	Efficiency (%)
AMA24EC2-120200Y	90 - 264	12	2	24	86.8



Plug type	Code	Specification
Custom	C2	Cigarette Lighter Socket

### Input Specification

Parameters	Conditions	Minimum	Typical	Maximum	Units
Voltage range		90	100 - 240	264	VAC
Frequency		47	50 - 60	63	Hz
Input current	Vin at 100~240VAC			0.6	A
Inrush current	Vin at 240VAC			50	A
Leakage Current	240VAC/50Hz			0.25	mA

### Output Specification

Parameters	Conditions	Minimum	Typical	Maximum	Units
Output voltage	Model AMA24x-120200Y		12		VDC
Output current	Model AMA24x-120200Y	0		2	A
Voltage regulation	24W output			±5	%
Ripple and Noise*	20 MHz bandwidth			200	mVp-p
Start-up time	Full load, Vin at 230VAC/50Hz			3	S
Hold-up time	90% load, Vin at 115VAC/60Hz	10			mS

\* Ripple and Noise are measured at 20MHz bandwidth by using a 0.1uF (M/C) and 10uF (E/C) parallel capacitor.

## Custom Product

Isolation Specifications				
Parameters	Conditions	Typical	Rated	Units
Tested I/O voltage	60 sec, leakage current < 10mA		3000	VAC

General Specification					
Parameters	Conditions	Minimum	Typical	Maximum	Units
Operating temperature	24W output	0		40	°C
Storage temperature	24W output	-20		70	°C
No-load power consumption	Vin at 100 -240VAC			100	mW
Humidity	Non-condensing	20		90	% RH
Altitude	Operation	0		2000	m
DoE LEVEL	VI				
Short circuit protection	Continuous, auto recovery				
Over current protection	Continuous, auto recovery				
Dimensions (L x W x H)	EU	2.83 x 1.34 x 3.48 inches (72.00 x 34.00 x 88.30mm)			
Output cable length	59.06 inches (1500mm)				
MTBF	> 175 000 hrs (Telcordia SR332, t=+25°C)/Full Load				
All specifications in this datasheet are measured at an ambient temperature of 25°C, humidity<75%, nominal input voltage and at rated output load unless otherwise specified.					

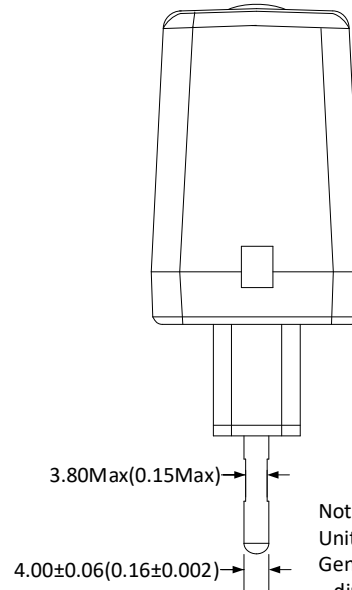
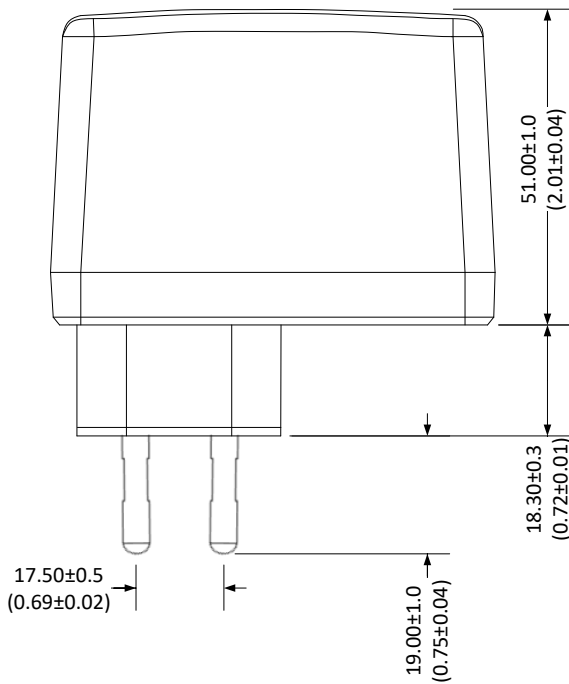
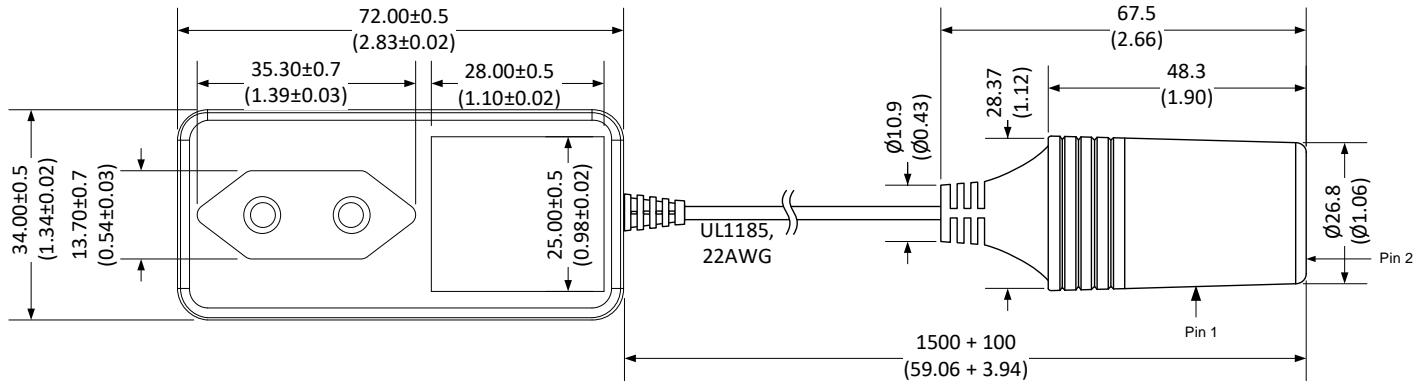
Safety Specifications		
Parameters		
Agency approvals	CE EN62368-1	
Standards	Information technology Equipment	Designed to meet IEC62368-1, UL62368-1
	EMC - Radiated & Conducted emission	FCC, Class B CISPR32, Class B EN55032, Class B
	Surge Immunity	IEC61000-4-5, L-N 1KV/1.2*50us, 5 time, no function error

# Custom Product

## Dimensions



### European Plug:

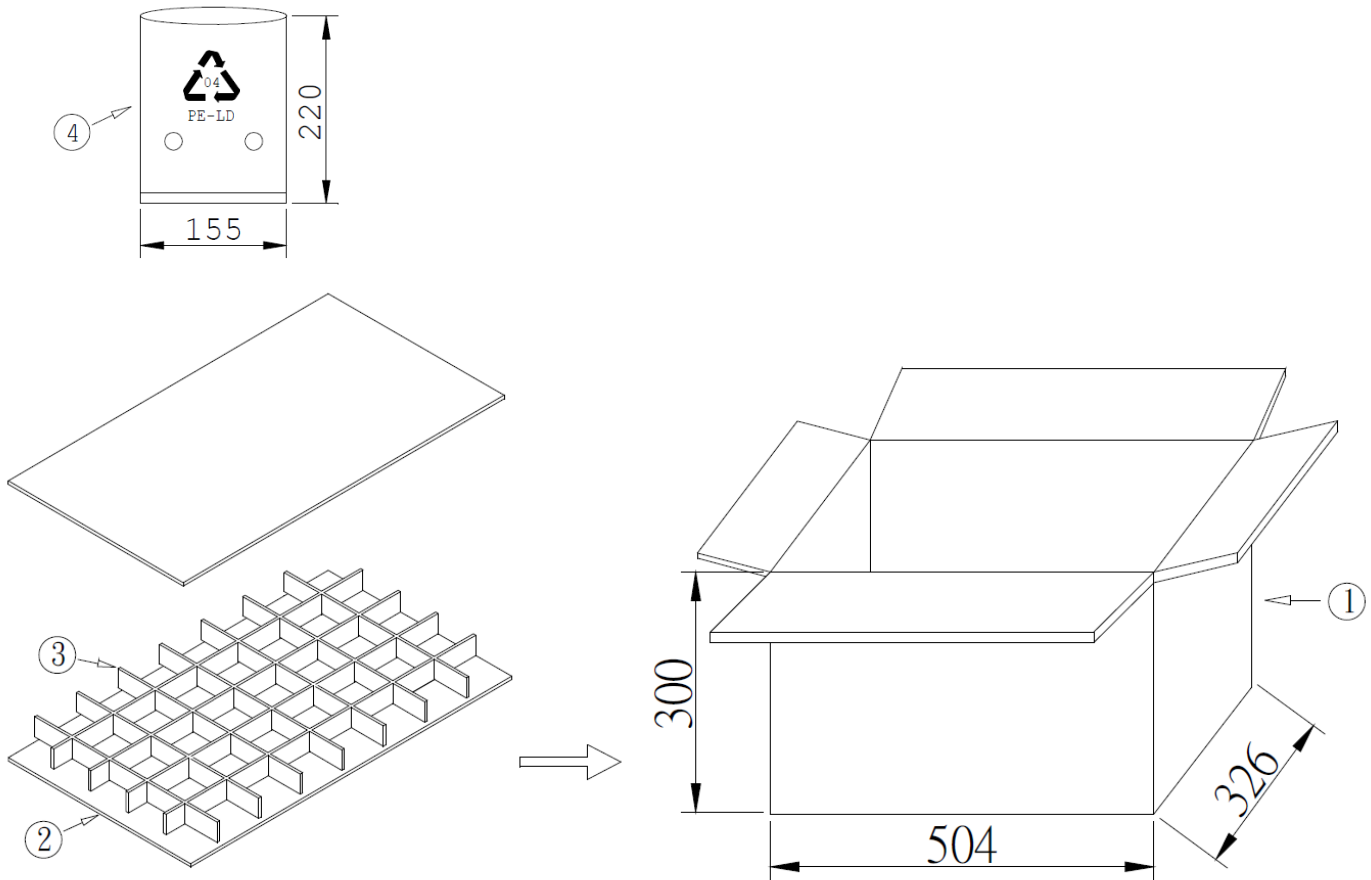


Note:  
Unit: mm (inch)  
General tolerance:  
dimension  $\leq 2$  (0.08):  $\pm 0.05$  ( $\pm 0.002$ )  
2 (0.08) < dimension  $\leq 10$  (0.4):  $\pm 0.1$  ( $\pm 0.004$ )  
10 (0.4) < dimension:  $\pm 0.2$  ( $\pm 0.008$ )

Pin Output Specifications	
Pin	Output Level
1	RTN(-)
2	+Vout

## Custom Product

### Packing



#### Packing information:

- CARTON: L\*W\*H=(504\*326\*300)+/-5mm A=A
- CLAPBOARD:(487\*309)+/-3mm B33 4PCS
- EGG CRATE:487/95\*309/36\*92 B33
- PLASTIC BAG:L\*W=(220\*155)mm THICK:0.06mm
- Q'TY:40\*3=120PCS
- NET WEIGHT: (g)(ref)
- UNIT: mm

## Custom Product

**NOTE:** **1.** Datasheets are updated as needed and as such, specifications are subject to change without notice. Once printed or downloaded, datasheets are no longer controlled by Aimtec; refer to [www.aimtec.com](http://www.aimtec.com) for the most current product specifications. **2.** Product labels shown, including safety agency certifications on labels, may vary based on the date manufactured. **3.** Mechanical drawings and specifications are for reference only. **4.** All specifications are measured at an ambient temperature of 25°C, humidity<75%, nominal input voltage and at rated output load unless otherwise specified. **5.** Aimtec may not have conducted destructive testing or chemical analysis on all internal components and chemicals at the time of publishing this document. CAS numbers and other limited information are considered proprietary and may not be available for release. **6.** This product is not designed for use in critical life support systems, equipment used in hazardous environments, nuclear control systems or other such applications which necessitate specific safety and regulatory standards other the ones listed in this datasheet. **7.** Warranty is in accordance with Aimtec's standard Terms of Sale available at [www.aimtec.com](http://www.aimtec.com). **8.** Adaptors are intended for industrial use only.