

U.FL(f) to FME(m) blkh, LP-040, 10 cm AM-67-UFS10



SECTRON company offers a wide portfolio of high-quality handmade cable adaptors in various versions for M2M applications.

SECTRON product portfolio includes brand connectors and coaxial cables in diameters from 0.8 mm to 10 mm suitable for frequencies up to 6 GHz. Using the latest technologies and our experience in the field, we will manufacture and test each RF cable adaptor exactly for your device.

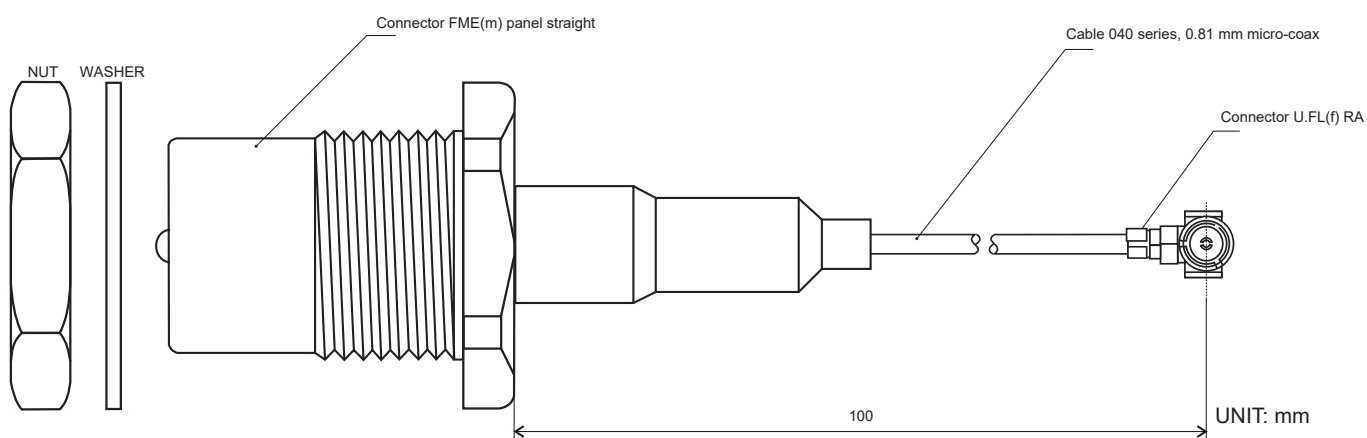
BENEFITS

- High reliability thanks to precise design
- Low Insertion loss
- Low VSWR

FEATURES

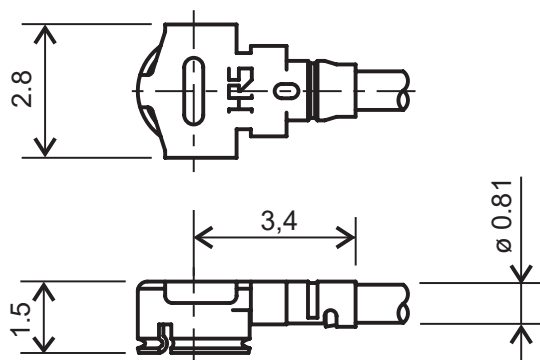
Frequency range	Up to 3 GHz
Impedance	50 ± 2 Ohm
Maximum VSWR	< 1.65:1 / 2.1 GHz
Maximum Insertion Loss	-1.0 dB / 2.4 GHz
Voltage Power	30 V
Maximum operating voltage	200 V AC/1 min
Cable type	Cable 040 series, Diameter 0.81 mm micro coax
Cable length	0.1 m
Connector type A	FME(m)
Connector type B	U.FL(f)
Operating temperature	-40 °C to +90 °C
Weight	1.5 g
Certification	RoHS

DRAWING



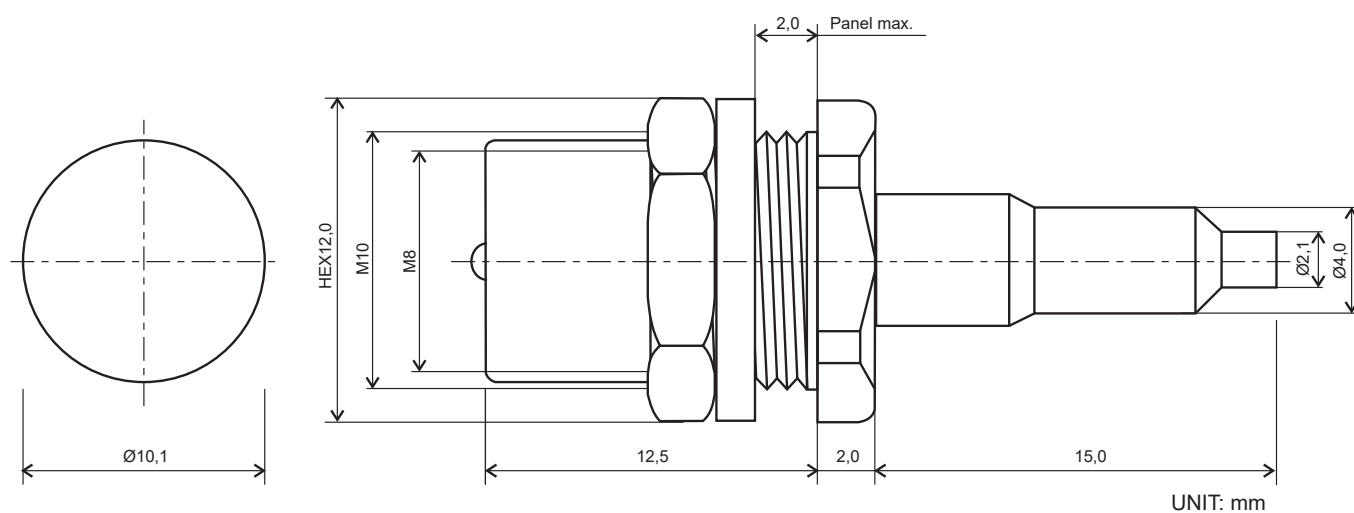
CONNECTORS PARAMETERS

Connector U.FL(f) R/A



UNIT: mm

Connector FME(m) panel straight



UNIT: mm

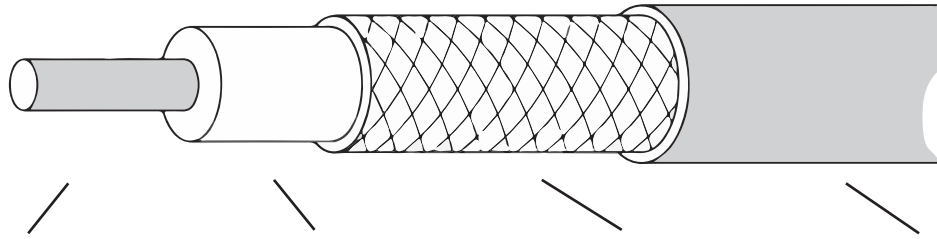
U.FL connector material

Shell	PH Bronze, Silver plated
Center Contact	PH Bronze, Gold plated
Insulator	Polybutylene terephthalate (PBT), black
Mating Cycles	30 cycles

FME connector material

Body	Brass, Nickel plated
Contact	Brass, Gold plated
Insulator	Teflon (white)
Ferrule	Brass, Nickel plated
Lock Washer	Brass, Nickel plated
Nut	Brass, Nickel plated
Mating Cycles	500 cycles

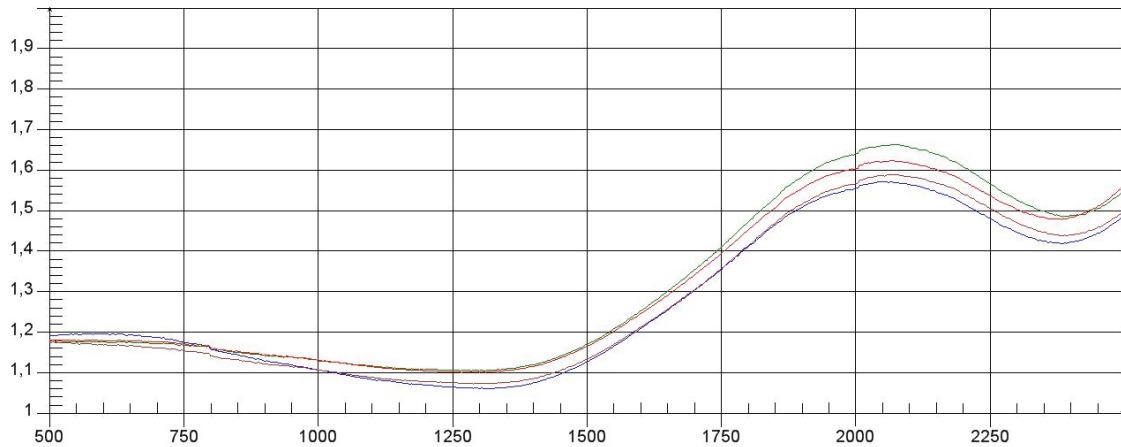
CABLE PARAMETERS



Inner Conductor	Insulation	Braid shield	Jacket
Material: Annealed Silvered Copper	Material: PFA	Material: Annealed Tinned Copper	Material: PFA
Stranding: 7×0.05 mm	Thickness: 0.125 mm	Type braid: 8×5×∅0.05 mm	Thickness: 0.08 mm
Outer diameter: 0.15 mm	Outer diameter: 0.4±0.02 mm	Outer diameter: 0.65 mm	Outer diameter: 0.81±0.02 mm

ADAPTOR MEASUREMENT

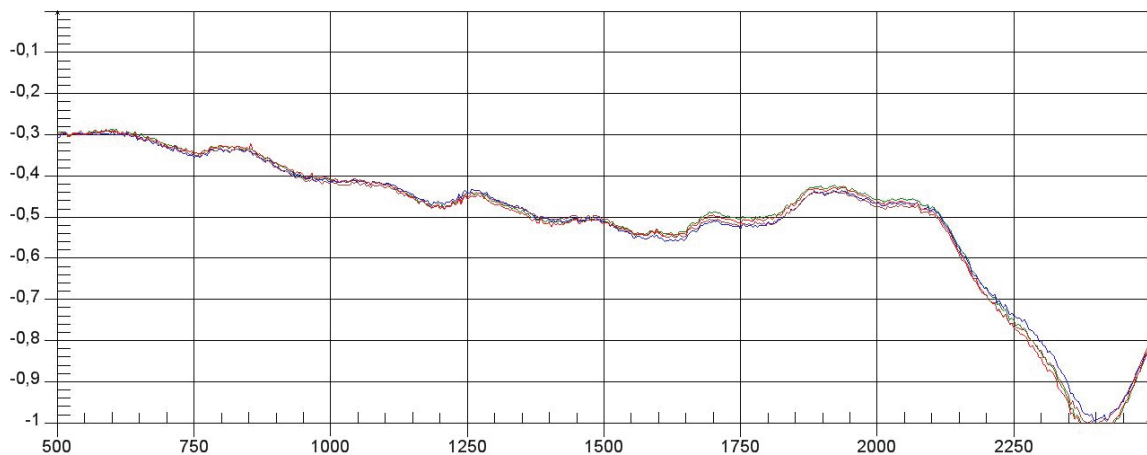
GRAPH VSWR - VOLTAGE STANDING WAVE RATIO [-]



AM_67_UFS10_SWR13
 AM_67_UFS10_SWR14
 AM_67_UFS10_SWR15
 AM_67_UFS10_SWR16

Frequency(500 - 2500 MHz)

GRAPH S12 - INSERTION LOSS [dB]



AM_67_UFS10_CL13
 AM_67_UFS10_CL14
 AM_67_UFS10_CL15
 AM_67_UFS10_CL16

Frequency(500 - 2500 MHz)