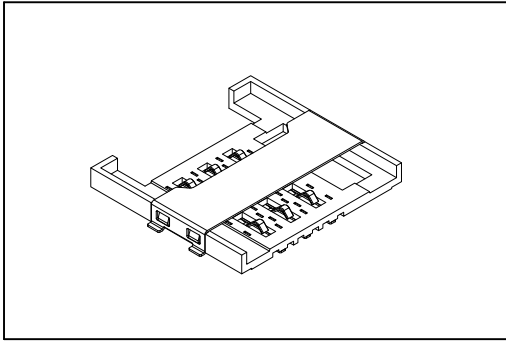


9002-K Series

SIM Card Connector SMD



Material:

Housing: High Temperature Plastic UL94V-0.

Contacts: Copper Alloy.

Shell: Metal.

Electrical Characteristics:

Current Rating: 1 A.

Dielectric Withstanding Voltage: AV 500V.

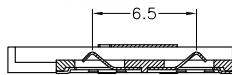
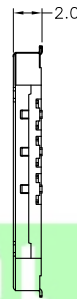
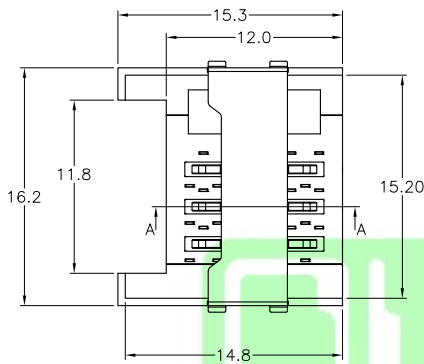
Insulator Resistance: 1000MΩ min.

Contact Resistance: 100mΩ max.

Operating Temperature: -40°C~+85°C.

Features:

* Low profile.

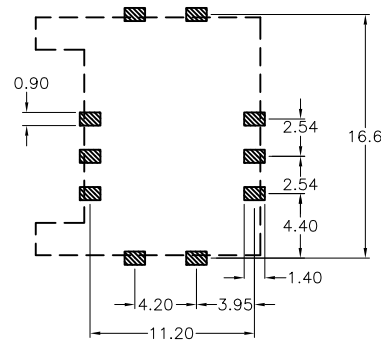
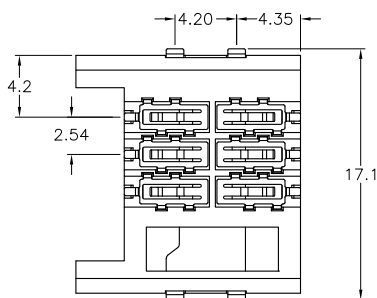


Section A-A'

Pin out recommendation

1# = Vcc	4# = Gnd
2# = Reset	5# = Vpp
3# = Clock	6# = Io

Recommended only, end users to identify pin out to suit their own designs.



P.C. Board Layout

Ordering information

9002-

Series

K

Style

06

Position

G

G: Gold Plated

10

10: 10 μ"

N

N: Without Post

T

T: Tape & Reel Package