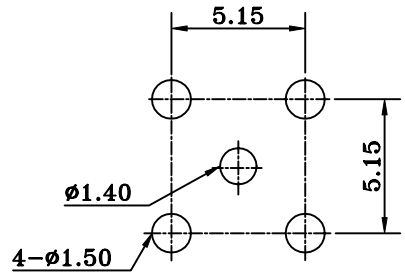
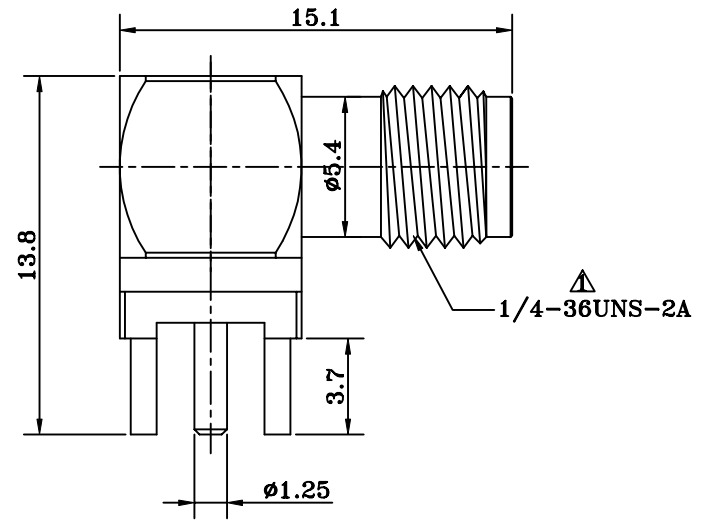
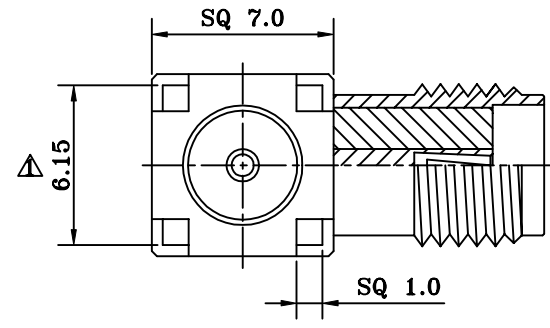


G7109 SERIES SMA JACK R/A FOR PCB MOUNT

REV	DATE	DESCRIPTION	ECN NO.	NAME
A	06.01.16	NEW RELEASE		James
B	07.01.02	Modify Material & Screw & Size Δ	TECR06001785	James



RECOMMEND P.C.BOARD LAYOUT



NO.	NAME	MATERIAL	FINISH	Q'ty
3	FEMALE INSULATOR	TEFLON	None	2
2	FEMALE CONDUCTOR	PHOSPHOR BRONZE Δ	GOLD PLATED 10u"	1
1	JACK BODY	BRASS	GOLD PLATED	2

GENERAL TOLERANCE XX = ±0.30 XX° = ±3° 	WIESON TECHNOLOGIES CO., LTD DRAWN BY James (WST)	PART NO.: G7109-431100	
	CHECKED BY WEN	DRAWING NO.	G7109-431100
	APPROVED BY LEO	DRAWING SIZE	A3
	SORTING NO. TC0015 (WST)	UNIT	mm
		PAGE	1 OF 1

ISSUED