

IP65 Edicube Datasheet



Features :

- IP65
- Light and Thin
- Wide angle 160°
- Uniformity of brightness
- With the heat dissipation design
- 3-year warranty

Typical Application :

- Advertising Light-Box Light source



Table of Contents

General Information.....	3
Product Dimensions.....	4
Light Pattern.....	4
Technical Data	5
Application	6
Cautions.....	7
Safety information	7
Product Packaging Information.....	8
Revision History	9
About Edison Opto.....	9

General Information

Introduction

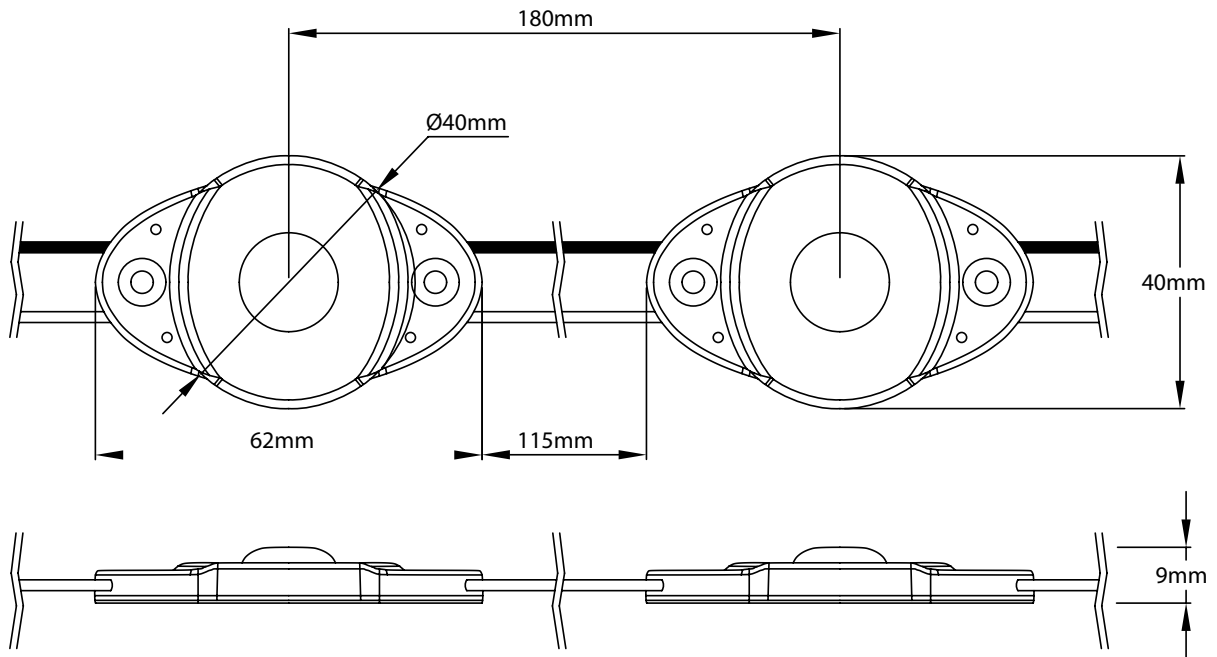
With secondary optical lens, Edison IP65 EdiCube Series features excellent light uniformity and wide emitting angle which is up to 160° so that the quantity of LEDs can be greatly reduced. In addition, thanks to the ultra high uniformity, naked eyes can't see the light source even when the product is mounted in an ultra-thin light box. IP65 EdiCube Series is flexible for all shapes of applications and is the best solution for advertising light box.

Product Nomenclature

6 LBDN xW 2 0 XX XXXXX
 X1 X2-X5 X6-X7 X8 X9 X10-X11 X12-X16

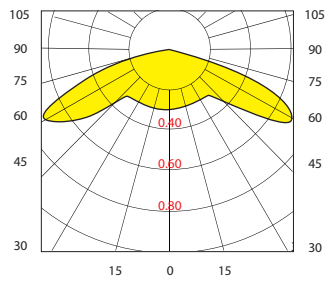
X1	X2-X5		X6-X7		X8		X9		X10-X11		X12-X16		
Item	Patent Request		Color		Light Angle		Driver		LED No.		Serial No.		
6	Module	LBDP	Yes	CW	Cool White	2	160°	0	No	06	6pcs	xxxxx	--
		LBDN	No							12	12pcs		
										18	18pcs		

Product Dimensions



Unit : mm
Tolerance : $\pm 2\text{mm}$

Light Pattern



Technical Data

Parameter	Rating / Value	Units
Operating condition	6W: 16~20V 350mA 12W: 34~38V 350mA 18W: 50~58V 350mA	-
LED Quantity	6 / 12 / 18	pcs
CCT	5300	K
CRI	68	--
Weight	6W: 120±5 12W: 240±5 18W: 360±5	g
Operating Temperature	-25 ~ +40	°C
Storage Temperature	-40 ~ +60	°C
Equilibrium Temperature	60	°C
Quick light / Instant light	<1s Instant full light	-
Switching cycles	>100,000 Times	-

Note:

The operating temperature is based on the ambient temperature to the Module in 3cm distance.

LED pcs	Order Code	Wattage (W)	CCT (Typ.)	Beam Angles	Typ. Lm	Length (mm)
6	6LBDNCW200600001	6			600	987
12	6LBDNCW201200001	12	5300K	Flood	1200	2097
18	6LBDNCW201800001	18			1800	3207

Notes:

- Luminous has 10% tolerance.
- The Luminous flux of single module is 100lm under operating current=350mA, Ta=25°C
- LED is a dynamic and constantly evolving technology. The final lux output of your IP65 Edicube may vary.
- Power consumption is measured at DC 350mA.

Application

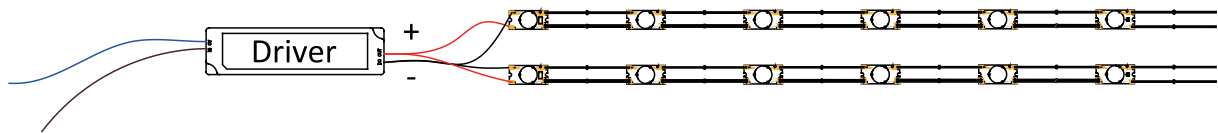
Edison Opto IP65 EdiCube can replace a traditional lighting in Advertising Light-Box. It can be easily installed, and has ultra high uniformity and Brightness.



Cautions

1. There is a risk of an electric shock. Disconnect the power supply before installing or maintaining the product.

2. We suggest customers install and connect the LED chains in parallel. Used in series may lead to unbalanced voltage and voltage decline, that will influence the LED lifetime and product performance.



3. Make sure to take suitable ESD (electrostatic discharge) precautions when installing the modules.

4. The EdiCube module must not be used where they may be directly exposed to the weather without adequate protection. In outdoor applications must therefore be protected by suitable housings or covers. The EdiCube module cannot be operated in or under water.

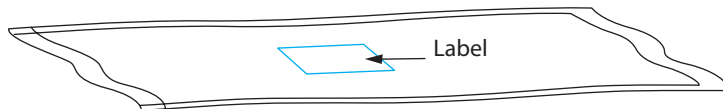
Safety information

Before assembling, please read this information carefully.

- Caution: There is a risk of an electric shock. Disconnect the power supply before installing or maintaining the product.
- To avoid mechanical damage due to vibration, avoid exposing the equipment to strong vibrations.
- The LED modules, including the power supply, may only be installed by a qualified electrician in accordance with all the valid regulations and standards.
- Ensure that the poles are connected correctly. No light will be emitted if the polarity is incorrect. In this case, simply reverse the polarity.

Product Packaging Information

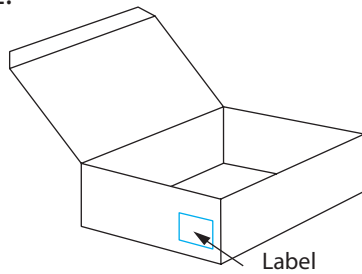
1.



Bubble bag

6in1: 600x80mm
12in1: 1180x80mm
18in1: 1740x80mm

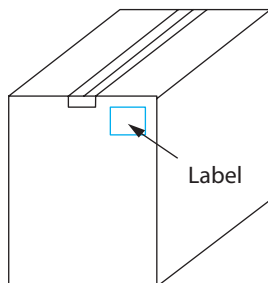
2.



Inner Box

6in1: 6 bubble bag
12in1: 3 bubble bag
18in1: 2 bubble bag

3.



Carton

Notes:

1. Inner Box Dimensions: 300*600*100mm
2. Carton Dimensions: 630*630*630mm
3. Figures not shown to scale.
4. Weight : 10kg/Carton
5. 12pcs inner box/ Carton

Revision History

Versions	Description	Release Date
1	Establish a datasheet	2014/12/03

About Edison Opto

Edison Opto is a leading manufacturer of high power LED and a solution provider experienced in LDMS. LDMS is an integrated program derived from the four essential technologies in LED lighting applications- Thermal Management, Electrical Scheme, Mechanical Refinement, Optical Optimization, to provide customer with various LED components and modules. More Information about the company and our products can be found at www.edison-opto.com