







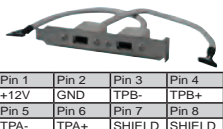











Cables and Connectors *USB / 1394 / Y Cable*

	USB cable			
				
Model Name	32001-010800-100-RS	32001-006404-100-RS	19800-000100-200-RS	19800-003100-300-RS
Cable type	USB cable	USB cable	USB cable	USB cable
Board side	2 x 4-pin connector (2.0mm)	2 x 4-pin connector (2.0mm)	2 x 8-pin (2x4) connector (2.54mm)	2 x 4-pin (1x4) connector (2.54mm)
Board side pitch	2.54mm	2.00mm	2.54mm	2.54mm
Device side	2 x USB	2 x USB	4 x USB	2 x USB
Bracket	No	No	Yes	Yes
Length	20cm	22cm	30 cm	30 cm

	USB cable			
				
Model Name	CB-USB02A-RS	32000-044300-RS	32000-073400-RS	32000-070301-RS
Cable type	USB cable	USB cable	USB cable	USB cable
Board side	1 x 8-pin (2x4) connector (2.0mm)	1 x 8-pin (2x4) connector (2.54mm)	2 x 5-pin connector (2.0mm) for WAFER-8523, WAFER-945GSE3 only	1 x 8-pin (2x4) connector (2.0mm)
Board side pitch	2.0mm	2.54mm	2.0mm	2.0mm
Device side	2 x USB	2 x USB	2 x USB	2 x USB
Bracket	Yes	No	No	No
Length	30 cm	21 cm	40 cm	21 cm

	1394 cable	Keyboard / Mouse cable																			
																					
	<table border="1"> <tr> <td>Pin 1</td> <td>Pin 2</td> <td>Pin 3</td> <td>Pin 4</td> </tr> <tr> <td>+12V</td> <td>GND</td> <td>TPB-</td> <td>TPB+</td> </tr> <tr> <td>Pin 5</td> <td>Pin 6</td> <td>Pin 7</td> <td>Pin 8</td> </tr> <tr> <td>TPA-</td> <td>TPA+</td> <td>SHIELD</td> <td>SHIELD</td> </tr> </table>	Pin 1	Pin 2	Pin 3	Pin 4	+12V	GND	TPB-	TPB+	Pin 5	Pin 6	Pin 7	Pin 8	TPA-	TPA+	SHIELD	SHIELD				
Pin 1	Pin 2	Pin 3	Pin 4																		
+12V	GND	TPB-	TPB+																		
Pin 5	Pin 6	Pin 7	Pin 8																		
TPA-	TPA+	SHIELD	SHIELD																		
Model Name	CB-IEEE1394-RS	19800-000066-RS	19800-000075-RS	32006-000300-100-RS	32000-023800-RS																
Cable type	1394 cable	Keyboard and mouse cable	Y-Cable	Y-Cable	Y-Cable																
Board side	2 x 8-pin (1x8) connector (2.0mm)	2 x 5-pin (1x5) connector (2.54mm)	1 x 6-pin (1x6) connector (2.0mm)	1 x male PS/2	1 x 6-pin (1x6) connector (2.0mm)																
Board side pitch	2.0 mm	2.54mm	2.0mm		2.0mm																
Device side	2 x IEEE1394	2 x Female PS/2	2 x Female PS/2	2 x Female PS/2	2 x Female PS/2																
Bracket	Yes	Yes	Yes	No	No																
Length	21 cm	30 cm	22 cm	12 cm (KB) + 14 (MS)	13 cm																

	Power cable				
					
Model Name	32100-087100-RS	32102-022100-100-RS	32102-005100-200-RS	32100-192900-RS	32100-130300-RS
Cable type	12V power cable	ATX function cable	12V power cable	12V power cable	Power cable for PC/104 CPU module
Board side	1 x 4-pin (2x2) connector	1 x 20-pin ATX power connector	1 x 4-pin (2x2) connector	1 x 4-pin (2x2) connector	1 x 4-pin (1x4) molex
Device side	2 x 4-pin (1x4) molex	1 x 4-pin (1x4) molex 1 x 3-pin PS_ON connector	with lock screw	4-pin 3.5 mm terminal block	3-pin 3.5 mm terminal block
Bracket	No	No	No	No	No
Length	13 cm	30 cm	25cm	25 cm	10 cm

Part numbers listed in the product catalog are for reference purposes. IEI reserves the right to implement substitution parts when the function is not affected.

1

Industrial Computing Solutions

2

Video Capture Solutions

3

Embedded Computing Solutions

4

Automation Control

5

ORing Network Communication

6

Power Supply/ Peripherals

7

Panel Solutions Introduction