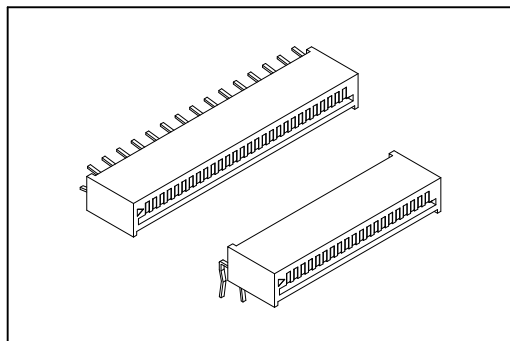




2532 Series

FFC/FPC Connector 1.25mm(0.049") Non ZIF Type



Material:

Housing: Thermoplastic Polyester Glass Filled UL94V-0.

Contacts: Copper Alloy.

Electrical Characteristics:

Current Rating: 1 A.

Dielectric Withstanding Voltage: AC 500V.

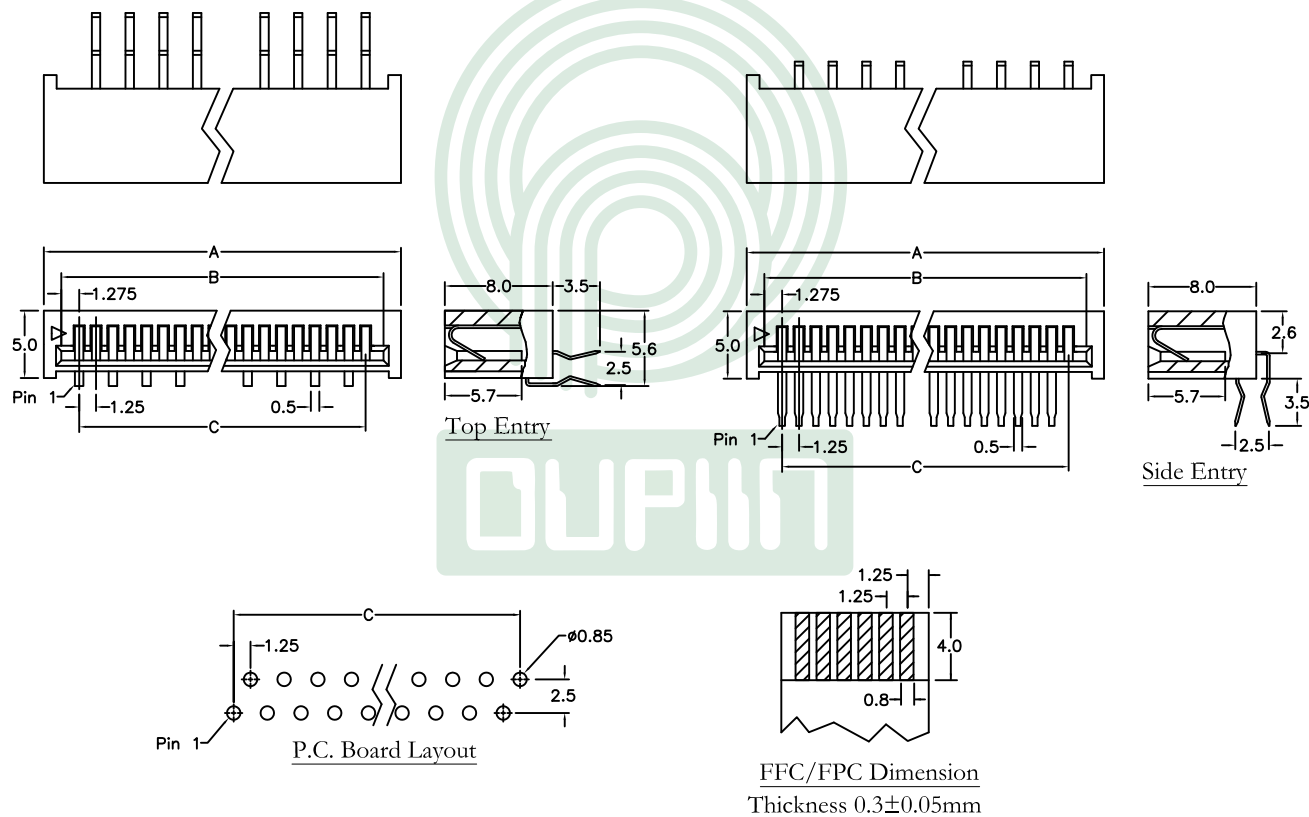
Insulator Resistance: 1000MΩ min.

Contact Resistance: 20mΩ max.

Operating Temperature: -55°C~+105°C.

Features:

- * Size 3 through 36 available.
- * Straight & Right Angle, Non-ZIF.
- * For 0.30mm(0.0118") thick FFC/FPC.



Position Dimension	3 Thru 36
A	(No. of Positions X 1.25)+3.4
B	(No. of Positions X 1.25)+1.3
C	(No. of Positions X 1.25)-1.25

Ordering information

2532-
Series

36
No. of
Pin Count

T
T: Tin Plated

S
S: Top Entry (Straight)
R: Side Entry (Right Angle)

A
A: Tray Package
U: Tube Package