

Taping Specification

Straight Leads (05D, 07D, 10D)

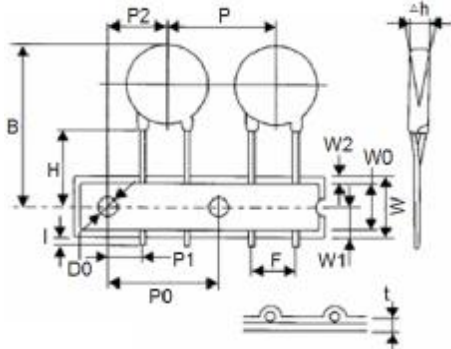


Fig. 1

Straight Leads (14D, 20D)

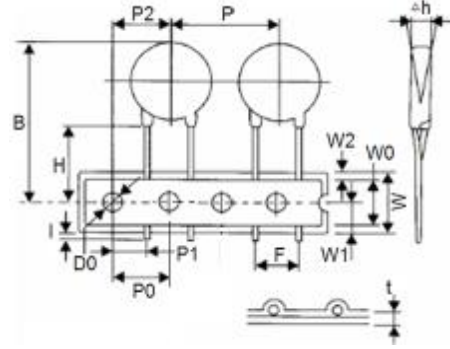


Fig. 2

Outside Crimped Leads (05D, 07D, 10D)

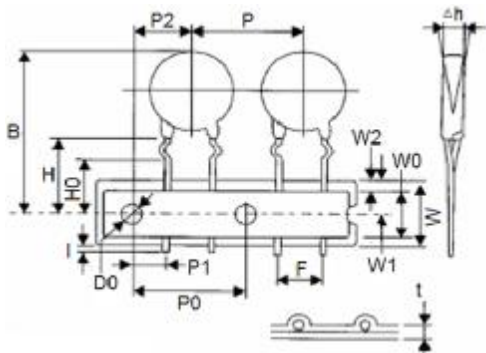


Fig. 3

Outside Crimped Leads (14D, 20D)

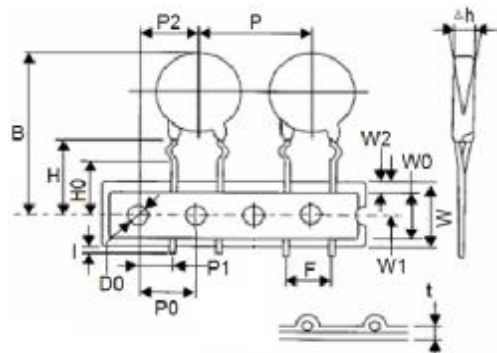


Fig. 4

Vertical Crimped Leads (05D, 07D, 10D)

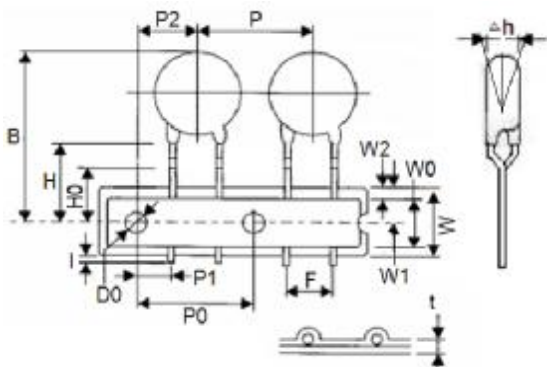


Fig. 5

Vertical Crimped Leads (14D, 20D)

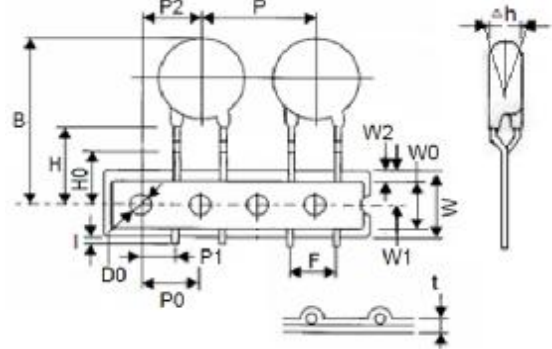


Fig. 6

METAL OXIDE VARISTORS

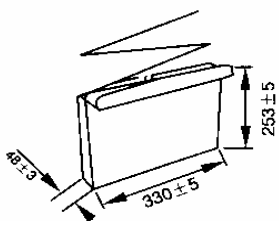
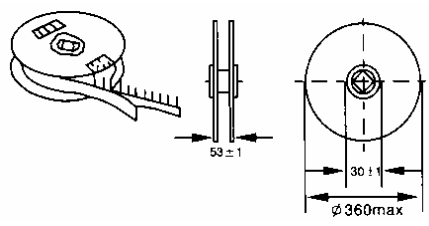
Transient voltage surge suppressors

Symbol	Parameter	Series				
		05D	07D	10D	14D	20D
P	Pitch of Component	12.7±1.0	12.7±1.0	15.0±1.0	25.4±1.0	25.4±1.0
P ₀	Feed Hole Pitch	12.7±0.3	12.7±0.3	15.0±0.3	12.7±1.0	12.7±1.0
P ₁	Feed Hole Center to Lead	3.85±0.7	3.85±0.7	3.75±0.7	8.95±0.7	7.7±0.7
P ₂	Hole Center to Component Center	6.35±1.3	6.35±1.3	7.5±1.3	12.7±1.3	12.7±1.3
F	Lead to Lead Distance	5.0±0.8	5.0±0.8	7.5±0.8	7.5±0.8	10.0±0.8
Δh	Component Alignment	0±2	0±2	0±2	0±4	0±4
W	Tape Width	18.0±1.0	18.0±1.0	18.0±1.0	18.0±1.0	18.0±1.0
W ₀	Hold Down Tape Width	12.0±1.0	12.0±1.0	12.0±1.0	12.0±1.0	12.0±1.0
W ₁	Hold Position	9.0±0.5	9.0±0.5	9.0±0.5	9.0±0.5	9.0±0.5
W ₂	Hold Down Tape Position	3.0max	3.0max	3.0max	3.0max	3.0max
H	Height from Tape Center to Component	20.0±2.0	20.0±2.0	20.0±2.0	20.0±2.0	20.0±2.0
B	Component Height	32.0max	32.0max	36.0max	40.0max	45.0max
H ₀	Height from Tape Center to Component	16.0±1.0	16.0±1.0	16.0±1.0	16.0±1.0	16.0±1.0
I	Length of Clipped Lead	1.0max	1.0max	1.0max	1.0max	1.0max
D ₀	Feed Hole Diameter	4.0±0.2	4.0±0.2	4.0±0.2	4.0±0.2	4.0±0.2
t	Total Tape Thickness	0.6±0.3	0.6±0.3	0.6±0.3	0.6±0.3	0.6±0.3

Unit: mm

Remark: Standard Feed Hole Pitch of 10D is 15.0mm, 12.7mm is special type available on request.

Packaging Specifications

Packing	Dimensions in mm	Series		Quantit
		Series	Series	
T/Box		05D	180L-471K	1500
		07D	511K-182K	1000
		10D	180L-561K	1000
			621K-182K	500
		14D	180L-561K	500
			621K-182K	400
		20D	500	
Reel		05D	180L-511K	2000
			561K~	1500
		07D	180L-471K	2000
			511K~	1500
		10D	180L-681K	1000
			751K~	750
		14D	180L-561K	750
			621K	500
20D	500			